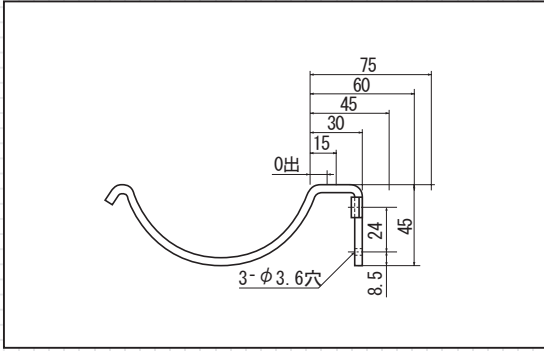


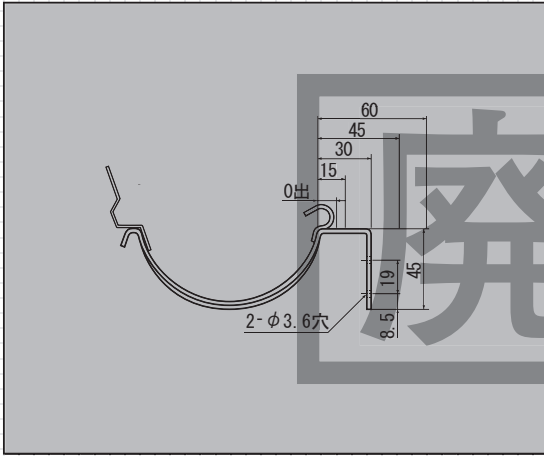


トンボ付正面打



| コード NO. | サイズ | 材種 | 入数 | 勾配 | 在庫品 | 受注生産品 | 備考 |
|---------|----------|----------|-----|----|-----|-------|----|
| AAC0070 | 105 × 0 | 4.5 × 13 | 200 | | | ● | |
| AAA0071 | 105 × 15 | | | | | ○ | |
| AAA0072 | 105 × 30 | | | | | ○ | |
| AAA0073 | 105 × 45 | | | | | ○ | |
| AAA0074 | 105 × 60 | | | | | ○ | |

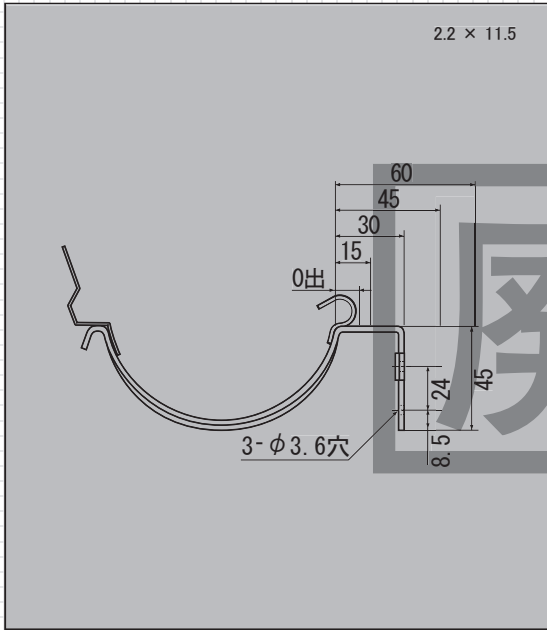
ワンタッチ正面打



| コード NO. | サイズ | 材種 | 入数 | 勾配 | 在庫品 | 受注生産品 | 備考 |
|---------|----------|------------|-----|----|-----|-------|----|
| AAC0091 | 105 × 0 | 2.2 × 11.5 | 200 | 直角 | | ○ | |
| AAA0092 | 105 × 15 | | | | ○ | | |
| AAA0093 | 105 × 30 | | | | ○ | | |
| AAA0094 | 105 × 45 | | | | ○ | | |
| AAA0095 | 105 × 60 | | | | ○ | | |
| AAC0106 | 105 × 0 | 2.8 × 13 | 200 | 直角 | | ○ | |
| AAA0107 | 105 × 15 | | | | ○ | | |
| AAA0108 | 105 × 30 | | | | ○ | | |
| AAA0109 | 105 × 45 | | | | ○ | | |
| AAA0110 | 105 × 60 | | | | ○ | | |

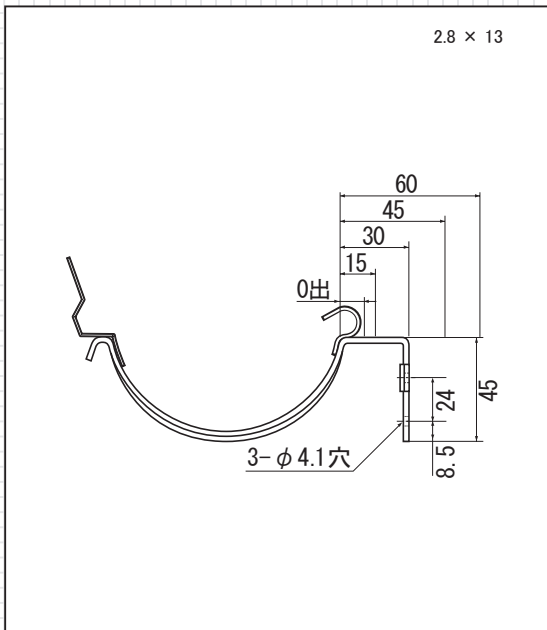


爪トンボ付正面打



| コード NO. | サイズ | 表面処理 | | | | | 入数 | 勾配 | 備考 |
|---------|----------|------|-----|----|-----|--------|-----|----|----|
| | | 生地 | 新茶 | 黒 | ミルク | ダークグレイ | | | |
| | | | BRO | BK | MW | DGY | | | |
| AAA0126 | 105 × 0 | ○ | ● | ● | ● | ● | 200 | 直角 | |
| AAA0127 | 105 × 15 | ○ | ○ | ○ | ● | ● | | | |
| AAA0128 | 105 × 30 | ○ | ○ | ○ | ● | ● | | | |
| AAA0129 | 105 × 45 | ○ | ○ | ○ | ● | ● | | | |
| AAA0130 | 105 × 60 | ○ | ○ | ○ | ● | ● | | | |
| AAC0131 | 120 × 0 | ● | ● | ● | ● | ● | 150 | | |
| AAC0132 | 120 × 15 | ● | ● | ● | ● | ● | | | |
| AAC0133 | 120 × 30 | ● | ● | ● | ● | ● | | | |
| AAC0134 | 120 × 45 | ● | ● | ● | ● | ● | | | |
| AAC0135 | 120 × 60 | ● | ● | ● | ● | ● | | | |

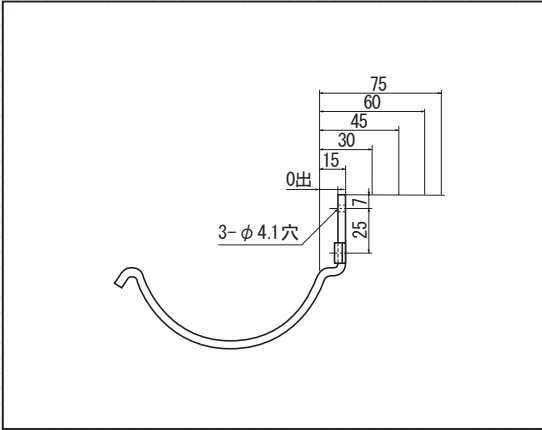
○…在庫品 ●…受注生産品



| コード NO. | サイズ | 表面処理 | | | | | 入数 | 勾配 | 備考 |
|---------|----------|------|-----|----|-----|--------|-----|----|----|
| | | 生地 | 新茶 | 黒 | ミルク | ダークグレイ | | | |
| | | | BRO | BK | MW | DGY | | | |
| AAA0141 | 105 × 0 | ○ | ● | ● | ● | ● | 150 | 直角 | |
| AAA0142 | 105 × 15 | ○ | ○ | ○ | ● | ● | | | |
| AAA0143 | 105 × 30 | ○ | ○ | ○ | ● | ● | | | |
| AAA0144 | 105 × 45 | ○ | ○ | ○ | ● | ● | | | |
| AAA0145 | 105 × 60 | ○ | ○ | ○ | ● | ● | | | |
| AAA0146 | 120 × 0 | ○ | ● | ● | ● | ● | | | |
| AAA0147 | 120 × 15 | ○ | ● | ● | ● | ● | | | |
| AAA0148 | 120 × 30 | ○ | ● | ● | ● | ● | | | |
| AAA0149 | 120 × 45 | ○ | ● | ● | ● | ● | | | |
| AAA0150 | 120 × 60 | ○ | ● | ● | ● | ● | | | |

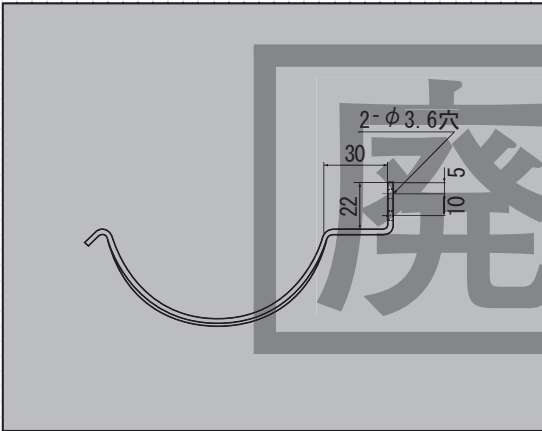
○…在庫品 ●…受注生産品

トンボ付正面打(上向)



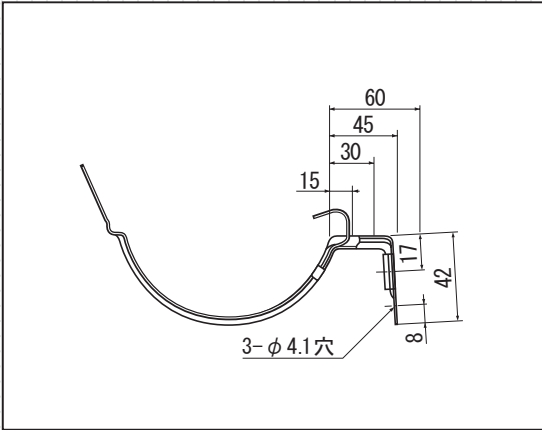
| コード NO. | サイズ | 材種 | 入数 | 勾配 | 在庫品 | 受注生産品 | 備考 |
|---------|----------|----------|-----|----|-----|-------|----|
| AAC0076 | 105 × 0 | 4.5 × 13 | 200 | 直角 | | ● | |
| AAA0077 | 105 × 15 | | | | ○ | | |
| AAA0078 | 105 × 30 | | | | ○ | | |
| AAA0079 | 105 × 45 | | | | ○ | | |
| AAA0080 | 105 × 60 | | | | ○ | | |
| AAC0081 | 105 × 75 | | 150 | | ● | | |

魚釣り



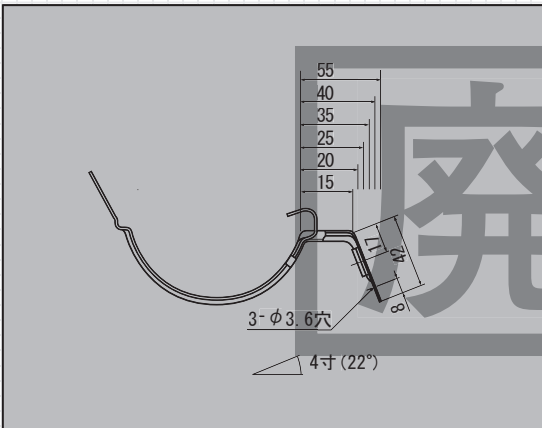
| コード NO. | サイズ | 材種 | 入数 | 勾配 | 在庫品 | 受注生産品 | 備考 |
|---------|----------|------------|-----|----|-----|-------|----|
| | 105 × 30 | 2.2 × 11.5 | 300 | | | ○ | |

19型正面打(直角品)



| コード NO. | サイズ | 材種 | 入数 | 勾配 | 在庫品 | 受注生産品 | 備考 |
|---------|----------|----------|-----|----|-----|-------|----|
| AAC0151 | 100 × 15 | 1.3 × 19 | 200 | 直角 | | ○ | |
| AAC0152 | 100 × 30 | | | | ○ | | |
| AAC0153 | 100 × 45 | | | | ○ | | |
| AAC0154 | 100 × 60 | | | | ○ | | |
| AAA0155 | 105 × 15 | | | | ○ | | |
| AAA0156 | 105 × 30 | | | | ○ | | |
| AAA0157 | 105 × 45 | ○ | | | | | |
| AAA0158 | 105 × 60 | ○ | | | | | |

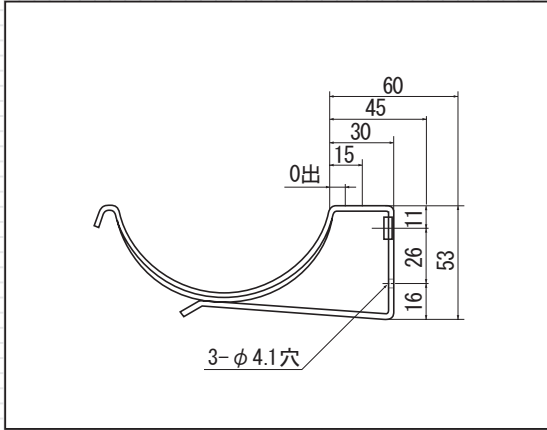
19型正面打(勾配品)



| コード NO. | サイズ | 材種 | 入数 | 勾配 | 在庫品 | 受注生産品 | 備考 |
|---------|----------|----------|-----|----|-----|-------|------|
| AAC0161 | 100 × 15 | 1.3 × 19 | 200 | 4寸 | | ○ | 廃盤予定 |
| AAC0162 | 100 × 30 | | | | ○ | 廃盤予定 | |
| AAC0163 | 100 × 45 | | | | ○ | 廃盤予定 | |
| AAC0164 | 100 × 60 | | | | ○ | 廃盤予定 | |
| AAC0165 | 105 × 15 | | | | ○ | 廃盤予定 | |
| AAC0166 | 105 × 30 | | | | ○ | 廃盤予定 | |
| AAC0167 | 105 × 45 | | | | ○ | 廃盤予定 | |

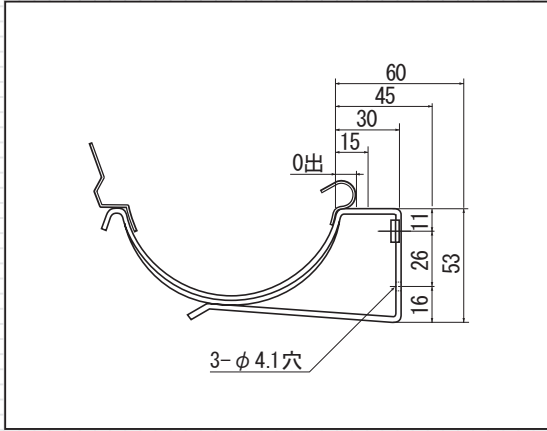


鼻隠し正面打



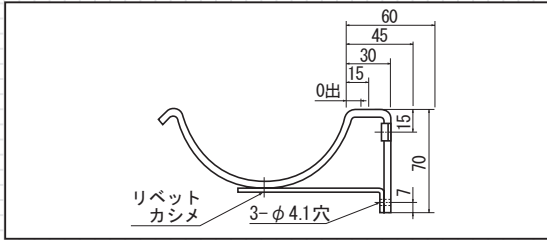
| コードNO. | サイズ | 材種 | 入数 | 勾配 | 在庫品 | 受注生産品 | 備考 |
|---------|----------|----------|-----|----|-----|-------|----|
| AAC0170 | 105 × 0 | 2.8 × 13 | 250 | 直角 | | ● | |
| AAA0171 | 105 × 15 | | | | ○ | | |
| AAA0172 | 105 × 30 | | | | ○ | | |
| AAA0173 | 105 × 45 | | | | ○ | | |
| AAA0174 | 105 × 60 | | | | ○ | | |
| AAC0175 | 120 × 0 | | | | | ● | |
| AAC0176 | 120 × 15 | | | | | ● | |
| AAC0177 | 120 × 30 | | | | | ● | |
| AAC0178 | 120 × 45 | | | | | ● | |
| AAC0179 | 120 × 60 | | | | | ● | |

ワンタッチ鼻隠し正面打



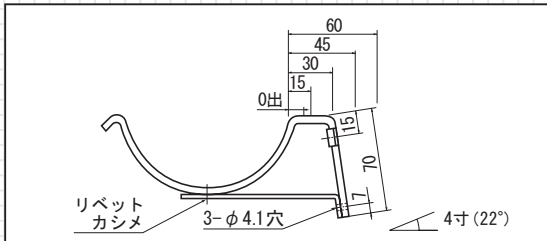
| コードNO. | サイズ | 材種 | 入数 | 勾配 | 在庫品 | 受注生産品 | 備考 |
|---------|----------|----------|-----|----|-----|-------|----|
| AAC0180 | 105 × 0 | 2.8 × 13 | 200 | 直角 | | ● | |
| AAA0181 | 105 × 15 | | | | ○ | | |
| AAA0182 | 105 × 30 | | | | ○ | | |
| AAA0183 | 105 × 45 | | | | ○ | | |
| AAA0184 | 105 × 60 | | | | ○ | | |
| AAC0185 | 120 × 0 | | | | | ● | |
| AAC0186 | 120 × 15 | | | | | ● | |
| AAC0187 | 120 × 30 | | | | | ● | |
| AAC0188 | 120 × 45 | | | | | ● | |
| AAC0189 | 120 × 60 | | | | | ● | |

ササエ付正面打 (直角品)



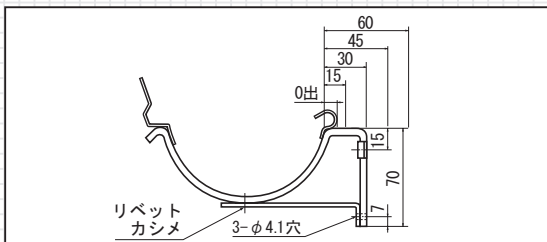
| コードNO. | サイズ | 材種 | 入数 | 勾配 | 在庫品 | 受注生産品 | 備考 |
|---------|----------|----------|-----|----|-----|-------|----|
| AAA0202 | 105 × 15 | 4.5 × 13 | 150 | 直角 | ○ | | |
| AAA0203 | 105 × 30 | | | | ○ | | |
| AAA0204 | 105 × 45 | | | | ○ | | |
| AAA0205 | 105 × 60 | | | | ○ | | |

ササエ付正面打 (勾配品)



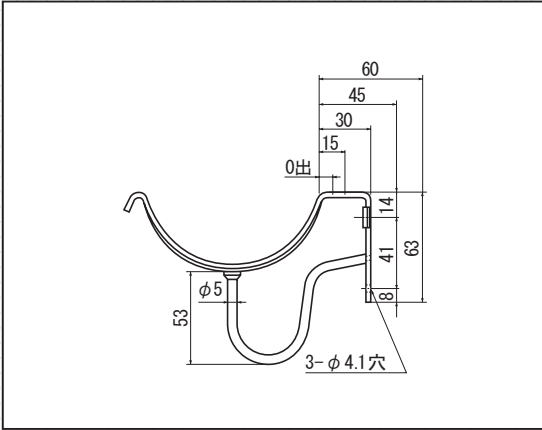
| コードNO. | サイズ | 材種 | 入数 | 勾配 | 在庫品 | 受注生産品 | 備考 |
|---------|----------|----------|-----|----|-----|-------|----|
| AAC0206 | 105 × 0 | 4.5 × 13 | 150 | 4寸 | | ● | |
| AAC0207 | 105 × 15 | | | | | ● | |
| AAC0208 | 105 × 30 | | | | | ● | |
| AAC0209 | 105 × 45 | | | | | ● | |
| AAC0210 | 105 × 60 | | | | | ● | |

ワンタッチササエ付正面打



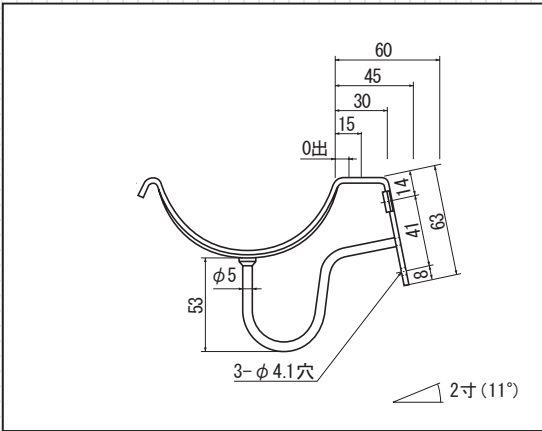
| コードNO. | サイズ | 材種 | 入数 | 勾配 | 在庫品 | 受注生産品 | 備考 |
|---------|----------|----------|-----|----|-----|-------|----|
| AAC8020 | 105 × 0 | 4.5 × 13 | 200 | 直角 | | ● | |
| AAC8021 | 105 × 15 | | | | | ● | |
| AAC8022 | 105 × 30 | | | | | ● | |
| AAC8023 | 105 × 45 | | | | | ● | |
| AAC8024 | 105 × 60 | | | | | ● | |

前掛正面打 (直角品)



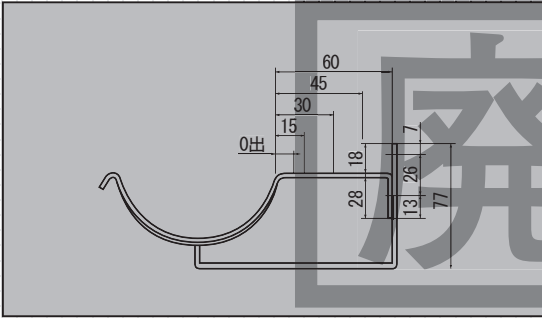
| コード NO. | サイズ | 材種 | 入数 | 勾配 | 在庫品 | 受注生産品 | 備考 |
|---------|----------|-------------------|-----|----|-----|-------|----|
| AAC0211 | 100 × 0 | 2.8 × 13 (φ 5) | 150 | 直角 | | ● | |
| AAC0212 | 100 × 15 | | | | | ● | |
| AAC0213 | 100 × 30 | | | | | ● | |
| AAC0214 | 100 × 45 | | | | | ● | |
| AAC0215 | 100 × 60 | | | | | ● | |
| AAA0216 | 105 × 0 | | | | ○ | | |
| AAA0217 | 105 × 15 | | | | ○ | | |
| AAA0218 | 105 × 30 | | | | ○ | | |
| AAA0219 | 105 × 45 | | | | ○ | | |
| AAC0220 | 105 × 60 | | | | ○ | | |

前掛正面打 (勾配品)



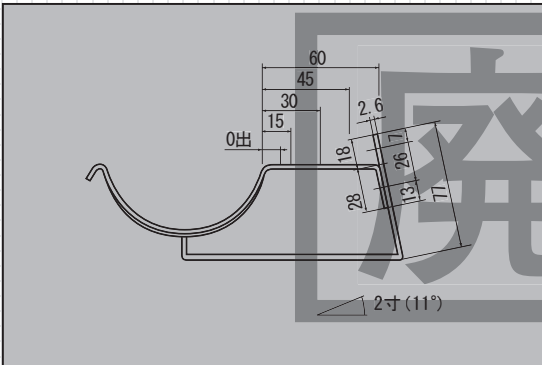
| コード NO. | サイズ | 材種 | 入数 | 勾配 | 在庫品 | 受注生産品 | 備考 |
|---------|----------|-------------------|-----|----|-----|-------|----|
| AAC0221 | 100 × 0 | 2.8 × 13 (φ 5) | 150 | 2寸 | | ● | |
| AAC0222 | 100 × 15 | | | | | ● | |
| AAC0223 | 100 × 30 | | | | | ● | |
| AAC0224 | 100 × 45 | | | | | ● | |
| AAC0225 | 100 × 60 | | | | | ● | |
| AAC0226 | 105 × 0 | | | | | ● | |
| AAC0227 | 105 × 15 | | | | | ● | |
| AAC0228 | 105 × 30 | | | | | ● | |
| AAC0229 | 105 × 45 | | | | | ● | |
| AAC0230 | 105 × 60 | | | | | ● | |

雪国用正面打 (直角品)



| コード NO. | サイズ | 材種 | 入数 | 勾配 | 在庫品 | 受注生産品 | 備考 |
|---------|----------|----------|-----|----|-----|-------|----|
| AAC0231 | 105 × 0 | 2.6 × 16 | 150 | 直角 | | ○ | |
| AAC0232 | 105 × 15 | | | | | ○ | |
| AAC0233 | 105 × 30 | | | | | ○ | |
| AAC0234 | 105 × 45 | | | | | ○ | |
| AAC0235 | 105 × 60 | | | | | ○ | |

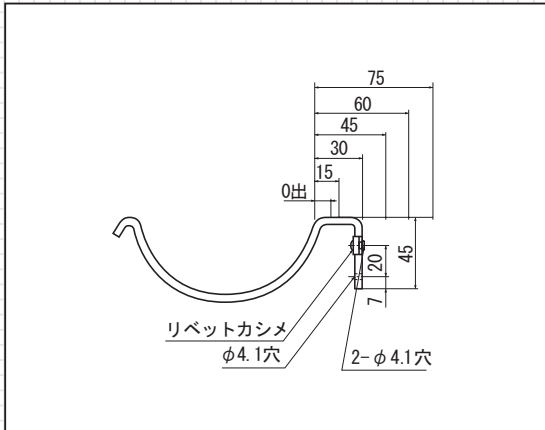
雪国用正面打 (勾配品)



| コード NO. | サイズ | 材種 | 入数 | 勾配 | 在庫品 | 受注生産品 | 備考 |
|---------|----------|----------|-----|----|-----|-------|----|
| AAC0236 | 105 × 0 | 2.6 × 16 | 150 | 2寸 | | ○ | |
| AAC0237 | 105 × 15 | | | | | ○ | |
| AAC0238 | 105 × 30 | | | | | ○ | |
| AAC0239 | 105 × 45 | | | | | ○ | |
| AAC0240 | 105 × 60 | | | | | ○ | |

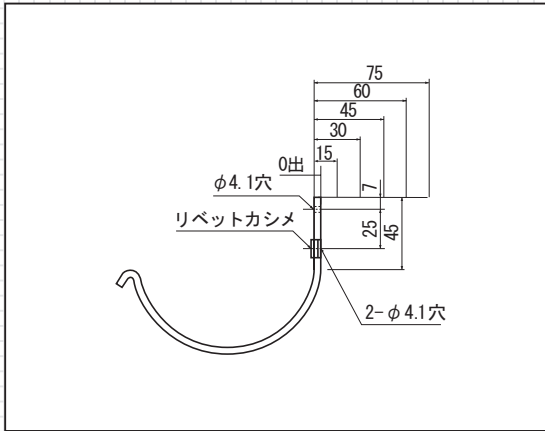


北陸型正面打 (下向)



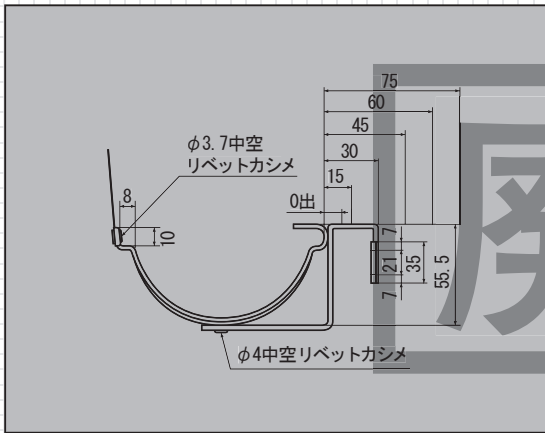
| コードNO. | サイズ | 材種 | 入数 | 勾配 | 在庫品 | 受注生産品 | 備考 |
|---------|----------|----------|-----|----|-----|-------|----|
| AAA0251 | 105 × 0 | 4.5 × 13 | 150 | 直角 | | ● | |
| AAA0252 | 105 × 15 | | | | | ● | |
| AAA0253 | 105 × 30 | | | | ○ | | |
| AAA0254 | 105 × 45 | | | | | ● | |
| AAC0255 | 105 × 60 | | | | | ● | |
| AAC0256 | 105 × 75 | | | | | ● | |

北陸型正面打 (上向)



| コードNO. | サイズ | 材種 | 入数 | 勾配 | 在庫品 | 受注生産品 | 備考 |
|---------|----------|----------|-----|----|-----|-------|----|
| AAC0261 | 105 × 0 | 4.5 × 13 | 150 | 直角 | | ● | |
| AAA0262 | 105 × 15 | | | | | ● | |
| AAA0263 | 105 × 30 | | | | ○ | | |
| AAA0264 | 105 × 45 | | | | | ● | |
| AAA0265 | 105 × 60 | | | | | ● | |
| AAA0266 | 105 × 75 | | | | | ● | |

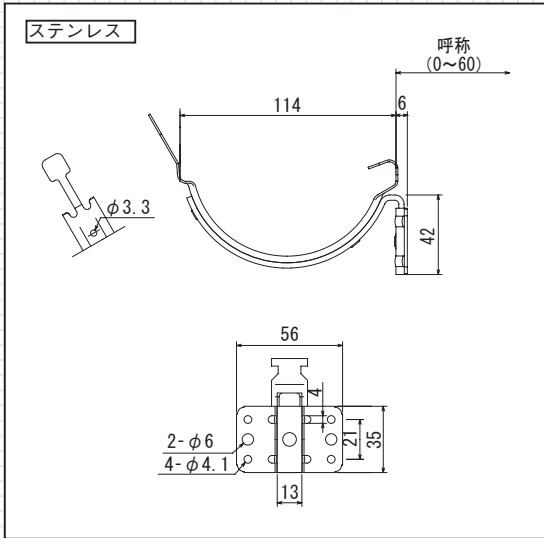
ステン爪正面打品



| コードNO. | サイズ | 材種 | 入数 | 勾配 | 在庫品 | 受注生産品 | 備考 |
|---------|----------|----------|-----|----|-----|-------|----|
| AAC8000 | 105 × 0 | 2.8 × 13 | 150 | 直角 | | ○ | |
| AAC8001 | 105 × 15 | | | | | ○ | |
| AAC8002 | 105 × 30 | | | | | ○ | |
| AAC8003 | 105 × 45 | | | | | ○ | |
| AAC8004 | 105 × 60 | | | | | ○ | |
| AAC8005 | 105 × 75 | | | | | ○ | |



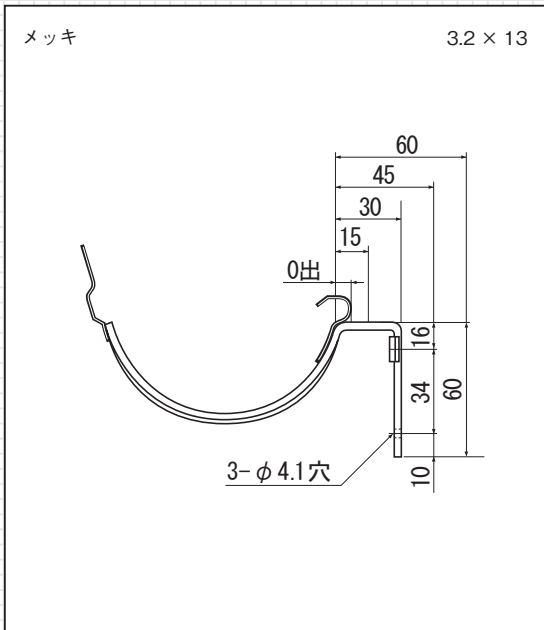
19型座付正面打イッキュウ



| コード NO. | サイズ | 材種 | 入数 | 勾配 | 在庫品 | 受注生産品 | 備考 |
|---------|------|----------------------|-----|----|-----|-------|----|
| FMA0740 | 0 出 | 1 × 19 (2.8 × 13) | 100 | 直角 | ○ | | |
| FMA0741 | 15 出 | | | | ○ | | |
| FMA0742 | 30 出 | | | | ○ | | |
| FMA0743 | 45 出 | | | | ○ | | |
| FMA0744 | 60 出 | | | | ○ | | |

※塗装品 受注生産品

関東正面打 直角品

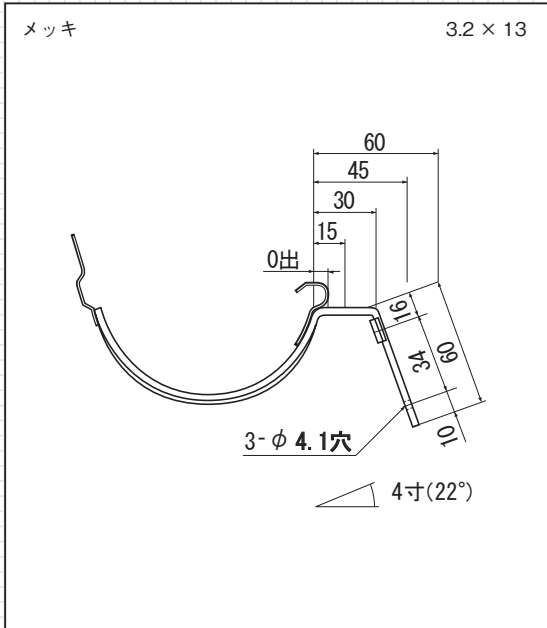


| コード NO. | サイズ | 表面処理 | | | | | 入数 | 勾配 | 備考 |
|---------|----------|------|----|----|-----|--------|-----|----|----|
| | | 生地 | 新茶 | 黒 | ミルク | ダークグレイ | | | |
| | | BRO | BK | MW | DGY | | | | |
| AEA0001 | 100 × 0 | ○ | ● | ● | ● | ● | 100 | 直角 | |
| AEA0002 | 100 × 15 | ○ | ● | ● | ● | ● | | | |
| AEA0096 | 100 × 18 | ○ | ● | ● | ● | ● | | | |
| AEA0098 | 100 × 21 | ○ | ● | ● | ● | ● | | | |
| AEA0003 | 100 × 30 | ○ | ● | ● | ● | ● | | | |
| AEA0004 | 100 × 45 | ○ | ● | ● | ● | ● | | | |
| AEA0005 | 100 × 60 | ○ | ● | ● | ● | ● | | | |
| AEA0006 | 105 × 0 | ○ | ○ | ○ | ● | ○ | | | |
| AEA0007 | 105 × 15 | ○ | ○ | ○ | ● | ○ | | | |
| AEA0097 | 105 × 18 | ○ | ● | ● | ● | ● | | | |
| AEA0099 | 105 × 21 | ○ | ● | ● | ● | ● | | | |
| AEA0008 | 105 × 30 | ○ | ○ | ○ | ● | ○ | | | |
| AEA0009 | 105 × 45 | ○ | ○ | ○ | ● | ○ | | | |
| AEA0010 | 105 × 60 | ○ | ○ | ○ | ● | ● | | | |
| AEC0011 | 120 × 0 | ○ | ○ | ○ | ● | ● | | | |
| AEC0012 | 120 × 15 | ○ | ○ | ○ | ● | ● | | | |
| AEC0013 | 120 × 30 | ○ | ○ | ○ | ● | ● | | | |
| AEC0014 | 120 × 45 | ○ | ○ | ○ | ● | ● | | | |
| AEC0015 | 120 × 60 | ○ | ○ | ○ | ● | ● | | | |

○…在庫品 ●…受注生産品



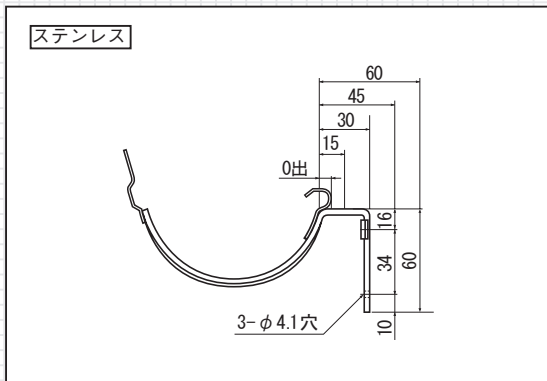
関東正面打 4寸勾配



| コード NO. | サイズ | 表面処理 | | | | | 入数 | 勾配 | 備考 |
|---------|----------|------|----|----|-----|--------|-----|----|----|
| | | 生地 | 新茶 | 黒 | ミルク | ダークグレイ | | | |
| | | BRO | BK | MW | DGY | | | | |
| AEC0080 | 100 × 0 | ● | ● | ● | ● | ● | 100 | 4寸 | |
| AEA0081 | 100 × 15 | ● | ● | ● | ● | ● | | | |
| AEA0096 | 100 × 18 | ○ | ● | ● | ● | ● | | | |
| AEC0098 | 100 × 21 | ● | ● | ● | ● | ● | | | |
| AEC0082 | 100 × 30 | ● | ● | ● | ● | ● | | | |
| AEC0083 | 100 × 45 | ● | ● | ● | ● | ● | | | |
| AEA0084 | 100 × 60 | ● | ● | ● | ● | ● | | | |
| AEC0085 | 105 × 0 | ● | ● | ● | ● | ● | | | |
| AEA0086 | 105 × 15 | ○ | ○ | ○ | ● | ● | | | |
| | 105 × 18 | ● | ● | ● | ● | ● | | | |
| | 105 × 21 | ● | ● | ● | ● | ● | | | |
| AEA0087 | 105 × 30 | ○ | ○ | ○ | ● | ● | | | |
| AEA0088 | 105 × 45 | ○ | ○ | ○ | ● | ● | | | |
| AEA0089 | 105 × 60 | ○ | ○ | ○ | ● | ● | | | |
| AEC0090 | 120 × 0 | ● | ● | ● | ● | ● | | | |
| AEC0091 | 120 × 15 | ● | ● | ● | ● | ● | | | |
| AEC0092 | 120 × 30 | ● | ● | ● | ● | ● | | | |
| AEC0093 | 120 × 45 | ● | ● | ● | ● | ● | | | |
| AEC0094 | 120 × 60 | ● | ● | ● | ● | ● | | | |

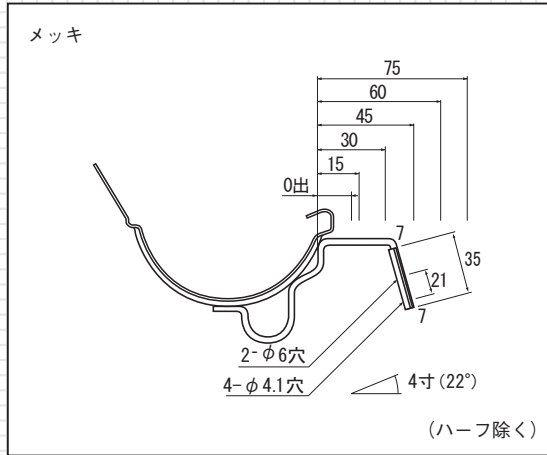
○…在庫品 ●…受注生産品

関東型正面打



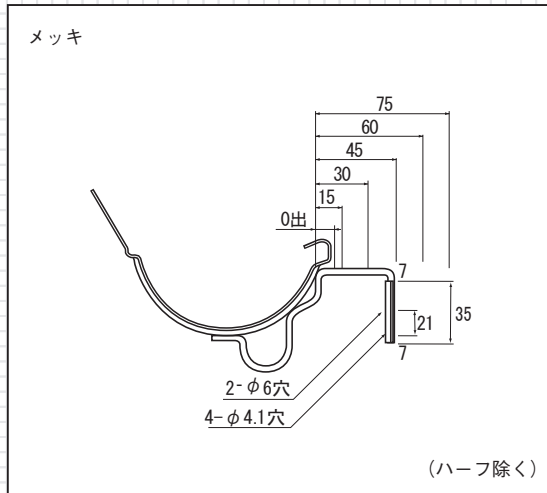
| コード NO. | サイズ | 材種 | 入数 | 勾配 | 在庫品 | 受注生産品 | 備考 |
|---------|----------|----------|-----|----|-----|-------|----|
| AMA0665 | 105 × 0 | 2.8 × 13 | 120 | 直角 | ○ | | |
| AMA0666 | 105 × 15 | | | | ○ | | |
| AMA0667 | 105 × 30 | | | | ○ | | |
| AMA0668 | 105 × 45 | | | | ○ | | |
| AMA0669 | 105 × 60 | | | | ○ | | |

関東 24 型化粧正面打 (勾配付)



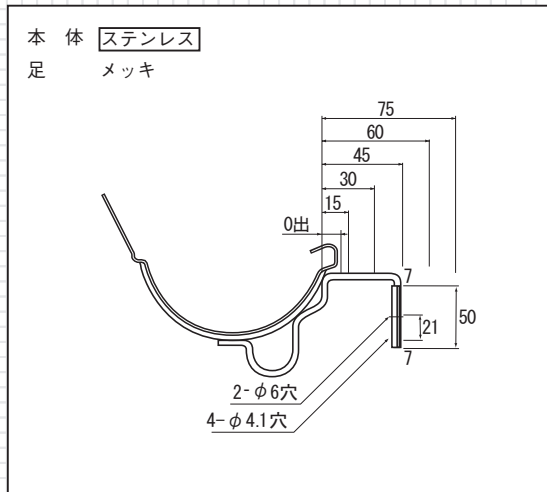
| コード NO. | サイズ | 材種 | 入数 | 勾配 | 在庫品 | 受注生産品 | 備考 |
|---------|----------|------------------------|-----|----|-----|-------|----|
| AEA0021 | 105 × 0 | 1.2 × 24 (3.2 × 13) | 100 | 4寸 | ○ | | |
| AEA0022 | 105 × 15 | | | | ○ | | |
| AEA0023 | 105 × 30 | | | | ○ | | |
| AEA0024 | 105 × 45 | | | | ○ | | |
| AEA0025 | 105 × 60 | | | | ○ | | |
| AEC0073 | 105 × 75 | | | | ● | | |
| AEC0026 | 120 × 0 | | | | ● | | |
| AEC0027 | 120 × 15 | | | | ● | | |
| AEC0028 | 120 × 30 | | | | ● | | |
| AEC0029 | 120 × 45 | | | | ● | | |
| AEC0030 | 120 × 60 | ● | | | | | |

関東 24 型化粧正面打 (直角品)



| コード NO. | サイズ | 材種 | 入数 | 勾配 | 在庫品 | 受注生産品 | 備考 |
|---------|----------|------------------------|-----|----|-----|-------|----|
| AEA0031 | 105 × 0 | 1.2 × 24 (3.2 × 13) | 100 | 直角 | ○ | | |
| AEA0032 | 105 × 15 | | | | ○ | | |
| AEA0033 | 105 × 30 | | | | ○ | | |
| AEA0034 | 105 × 45 | | | | ○ | | |
| AEA0035 | 105 × 60 | | | | ○ | | |
| AEC0071 | 105 × 75 | | | | ● | | |
| AEC0036 | 120 × 0 | | | | ● | | |
| AEC0037 | 120 × 15 | | | | ● | | |
| AEC0038 | 120 × 30 | | | | ● | | |
| AEC0039 | 120 × 45 | | | | ● | | |
| AEC0040 | 120 × 60 | ● | | | | | |
| AEC0072 | 120 × 75 | ● | | | | | |

ハーフ 24 型化粧正面打

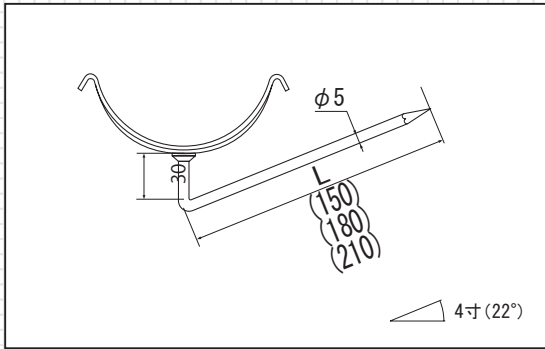


| コード NO. | サイズ | 材種 | 入数 | 勾配 | 在庫品 | 受注生産品 | 備考 |
|---------|----------|------------------------|-----|----|-----|-------|----|
| AEA0501 | 105 × 0 | 1.0 × 24 (3.2 × 13) | 100 | 直角 | ○ | | |
| AEA0502 | 105 × 15 | | | | ○ | | |
| AEA0503 | 105 × 30 | | | | ○ | | |
| AEC0504 | 105 × 45 | | | | ● | | |
| AEC0505 | 105 × 60 | | | | ● | | |
| AEC0506 | 105 × 75 | | | | ● | | |
| AEA0511 | 105 × 0 | | | 4寸 | ○ | | |
| AEA0512 | 105 × 15 | | | | ○ | | |
| AEA0513 | 105 × 30 | | | | ○ | | |
| AEC0514 | 105 × 45 | | | | ● | | |
| AEC0515 | 105 × 60 | | | | ● | | |
| AEC0516 | 105 × 75 | | | | ● | | |

| コード NO. | サイズ | 材種 | 入数 | 勾配 | 在庫品 | 受注生産品 | 備考 | |
|---------|----------|----------------------|-----|----|-----|-------|------------|--|
| AMA0301 | 105 × 0 | 1.0 × 24 (3 × 13) | 100 | 直角 | ○ | | オール ステン | |
| AMA0302 | 105 × 15 | | | | ○ | | | |
| AMA0303 | 105 × 30 | | | | ○ | | | |
| AMA0321 | 105 × 0 | | | 4寸 | ○ | | | |
| AMA0322 | 105 × 15 | | | | ○ | | | |
| AMA0323 | 105 × 30 | | | | ○ | | | |

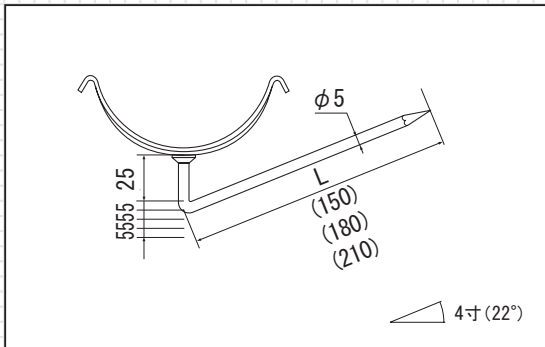


T型打込 (流れなし)



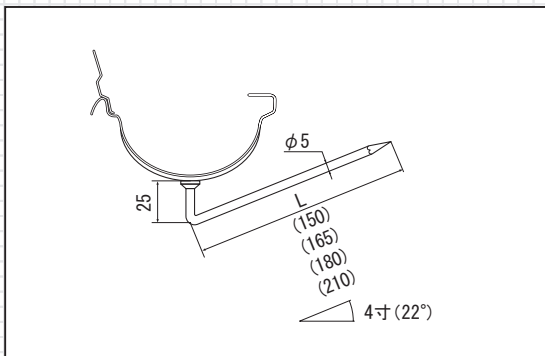
| コードNO. | サイズ | 材種 | 入数 | 勾配 | 在庫品 | 受注生産品 | 備考 |
|---------|-----------|-----------------|-----|----|-----|-------|----|
| ACC0061 | 75 × 150 | 2 × 13 (φ 5) | 250 | | | ● | |
| ACC0062 | 100 × 150 | | | | | ● | |
| ACC0063 | 105 × 150 | | | | | ● | |
| ACC0064 | 120 × 150 | | | | | ● | |
| ACC0065 | 100 × 180 | | | | | ● | |
| ACC0066 | 105 × 180 | | | | | ● | |
| ACC0067 | 120 × 180 | | | | | ● | |
| ACC0068 | 100 × 210 | | | | | ● | |
| ACC0069 | 105 × 210 | | | | | ● | |
| ACC0070 | 120 × 210 | | | | | ● | |

T型打込 (5丁流)



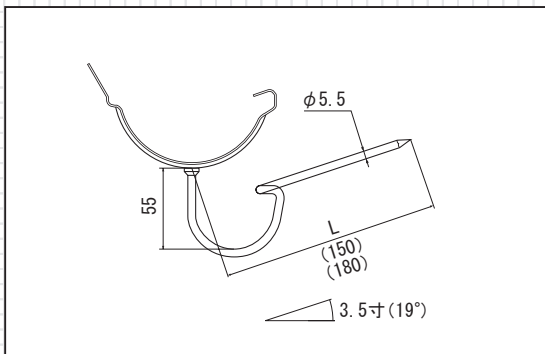
| コードNO. | サイズ | 材種 | 入数 | 勾配 | 在庫品 | 受注生産品 | 備考 |
|---------|-----------|-----------------|-----|----|-----|-------|----|
| ACC0071 | 75 × 150 | 2 × 13 (φ 5) | 250 | | | ● | |
| ACC0072 | 100 × 150 | | | | | ● | |
| ACC0073 | 105 × 150 | | | | | ● | |
| ACC0074 | 120 × 150 | | | | | ● | |
| ACC0075 | 100 × 180 | | | | | ● | |
| ACC0076 | 105 × 180 | | | | | ● | |
| ACC0077 | 120 × 180 | | | | | ● | |
| ACC0078 | 100 × 210 | | | | | ● | |
| ACC0079 | 105 × 210 | | | | | ● | |
| ACC0080 | 120 × 210 | | | | | ● | |

T-II型打込 (流れなし)



| コードNO. | サイズ | 材種 | 入数 | 勾配 | 在庫品 | 受注生産品 | 備考 |
|---------|-----------|-----------------|-----|----|-----|-------|----|
| ACA0086 | 105 × 150 | 2 × 13 (φ 5) | 150 | | ○ | | |
| ACC0110 | 105 × 165 | | | | | ● | |
| ACA0087 | 105 × 180 | | | | | ○ | |
| ACC0088 | 105 × 210 | | | | | ● | |

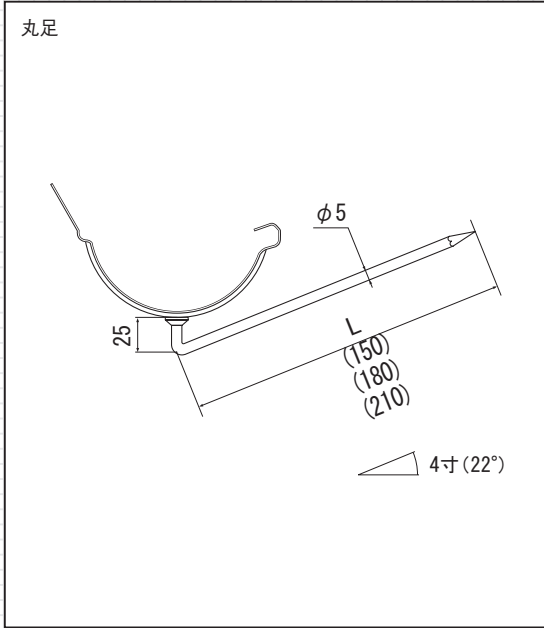
19型丸打込 (ミヤジタイプ)



| コードNO. | サイズ | 材種 | 入数 | 勾配 | 在庫品 | 受注生産品 | 備考 |
|---------|-----------|---------------------|-----|----|-----|-------|----|
| ACA8003 | 105 × 150 | 1.2 × 19 (φ 5.5) | 200 | | ○ | | |
| ACA8004 | 105 × 180 | | | | ○ | | |



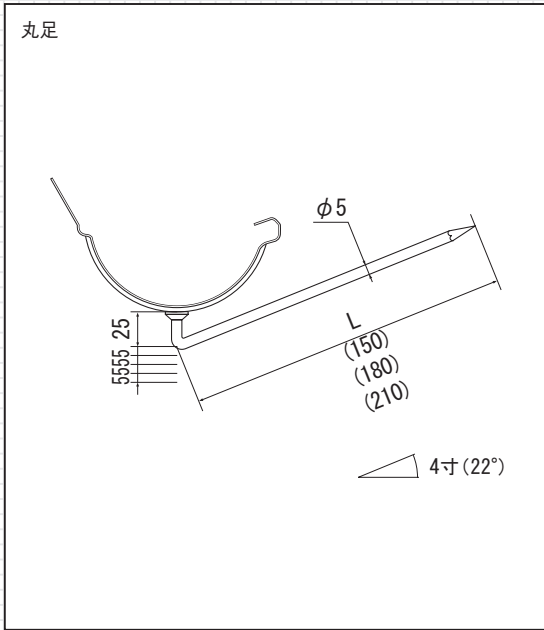
19型打込 (流れなし)



| コード NO. | サイズ | 表面処理 | | | | | 入数 | 勾配 | 備考 |
|---------|-----------|------|----|----|-----|--------|-----|----|----|
| | | 生地 | 新茶 | 黒 | ミルク | ダークグレイ | | | |
| | | BRO | BK | MW | DGY | | | | |
| ACC0031 | 100 × 150 | ● | ● | ● | ● | ● | 250 | | |
| ACA0032 | 105 × 150 | ○ | ○ | ○ | ● | ○ | | | |
| ACA0033 | 120 × 150 | ○ | ● | ● | ● | ● | | | |
| ACC0034 | 100 × 180 | ● | ● | ● | ● | ● | | | |
| ACA0035 | 105 × 180 | ○ | ○ | ○ | ○ | ○ | | | |
| ACA0036 | 120 × 180 | ○ | ○ | ○ | ● | ● | | | |
| ACC0037 | 100 × 210 | ● | ● | ● | ● | ● | | | |
| ACA0038 | 105 × 210 | ○ | ○ | ○ | ● | ○ | | | |
| ACC0039 | 120 × 210 | ● | ● | ● | ● | ● | | | |

○…在庫品 ●…受注生産品

19型打込 (5丁流)

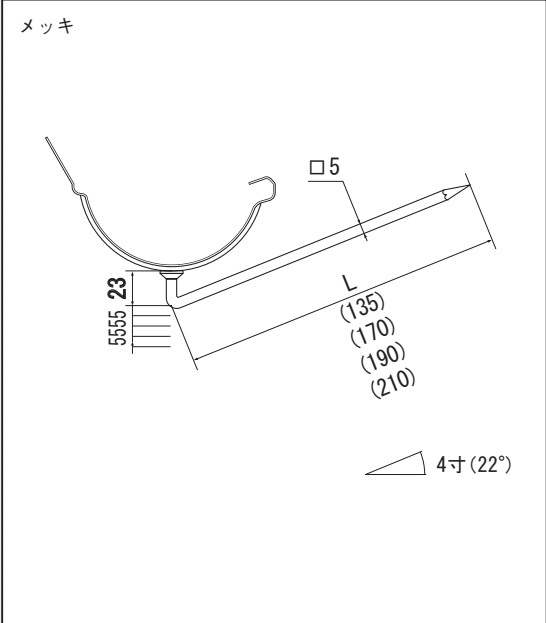


| コード NO. | サイズ | 表面処理 | | | | | 入数 | 勾配 | 備考 |
|---------|-----------|------|----|----|-----|--------|-----|----|----|
| | | 生地 | 新茶 | 黒 | ミルク | ダークグレイ | | | |
| | | BRO | BK | MW | DGY | | | | |
| ACC0040 | 100 × 150 | ● | ● | ● | ● | ● | 250 | | |
| ACA0041 | 105 × 150 | ○ | ● | ● | ● | ● | | | |
| ACC0042 | 120 × 150 | ● | ● | ● | ● | ● | | | |
| ACC0043 | 100 × 180 | ● | ● | ● | ● | ● | | | |
| ACA0044 | 105 × 180 | ○ | ○ | ○ | ● | ● | | | |
| ACC0045 | 120 × 180 | ● | ● | ● | ● | ● | | | |
| ACC0046 | 100 × 210 | ● | ● | ● | ● | ● | | | |
| ACC0047 | 105 × 210 | ● | ● | ● | ● | ● | | | |
| ACC0048 | 120 × 210 | ● | ● | ● | ● | ● | | | |

○…在庫品 ●…受注生産品



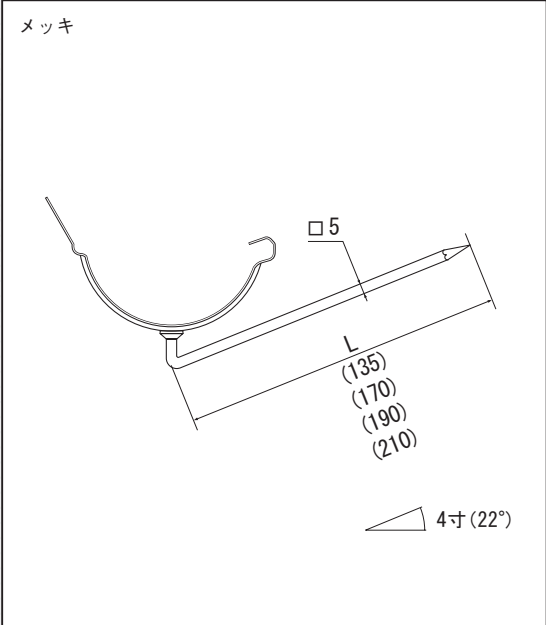
19 型打込 5 丁流 5mm角



| コード NO. | サイズ | 表面処理 | | | | | 入数 | 勾配 | 備考 |
|---------|-------------|------|----|----|-----|--------|-----|----|----|
| | | 生地 | 新茶 | 黒 | ミルク | ダークグレイ | | | |
| | | BRO | BK | MW | DGY | | | | |
| | 100 × L=135 | ● | ● | ● | ● | ● | 100 | | |
| ACA0049 | 100 × L=170 | ○ | ● | ● | ● | ● | | | |
| ACA0051 | 100 × L=190 | ○ | ● | ● | ● | ● | | | |
| ACC0122 | 100 × L=210 | ● | ● | ● | ● | ● | | | |
| | 105 × L=135 | ● | ● | ● | ● | ● | | | |
| ACA0050 | 105 × L=170 | ○ | ○ | ○ | ● | ○ | | | |
| ACA0052 | 105 × L=190 | ○ | ○ | ○ | ○ | ○ | | | |
| ACC0054 | 105 × L=210 | ● | ● | ● | ● | ● | | | |
| | 120 × L=135 | ● | ● | ● | ● | ● | | | |
| ACC0126 | 120 × L=170 | ● | ● | ● | ● | ● | | | |
| ACC0127 | 120 × L=190 | ● | ● | ● | ● | ● | | | |
| ACC0128 | 120 × L=210 | ● | ● | ● | ● | ● | | | |

○…在庫品 ●…受注生産品

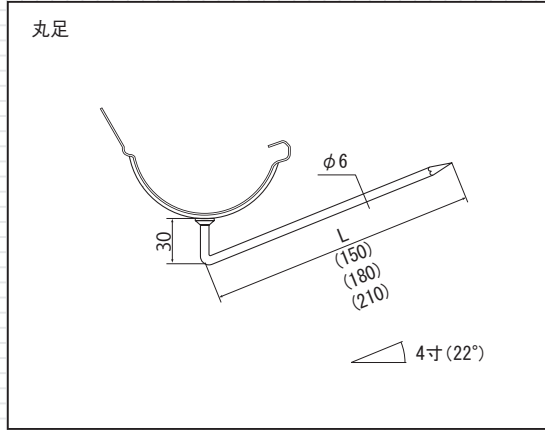
19 型打込流なし 5mm角(No.3のみ)



| コード NO. | サイズ | 表面処理 | | | | | 入数 | 勾配 | 備考 |
|---------|-------------|------|----|----|-----|--------|-----|----|----|
| | | 生地 | 新茶 | 黒 | ミルク | ダークグレイ | | | |
| | | BRO | BK | MW | DGY | | | | |
| ACC0131 | 105 × L=170 | ● | ● | ● | ● | ● | 100 | | |
| ACA0053 | 105 × L=190 | ○ | ○ | ○ | ● | ● | 250 | | |
| ACC0132 | 105 × L=210 | ● | ● | ● | ● | ● | 100 | | |
| ACC0133 | 120 × L=170 | ● | ● | ● | ● | ● | | | |
| ACC0054 | 120 × L=190 | ● | ● | ● | ● | ● | | | |
| ACC0135 | 120 × L=210 | ● | ● | ● | ● | ● | | | |

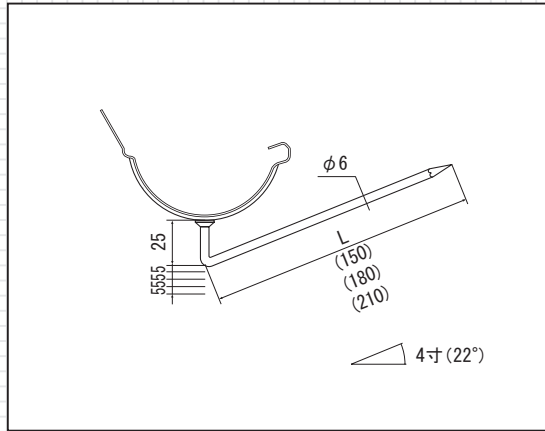
○…在庫品 ●…受注生産品

24型打込(流れなし)



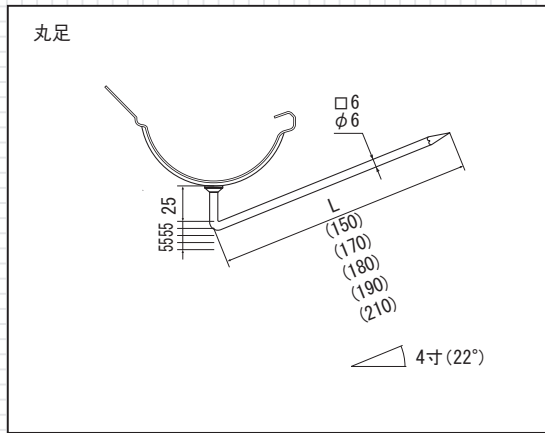
| コード NO. | サイズ | 材種 | 入数 | 勾配 | 在庫品 | 受注生産品 | 備考 |
|---------|-----------|-------------------|-----|----|-----|-------|----|
| ACC0001 | 100 × 150 | 1.2 × 24 (φ 6) | 200 | | | ● | |
| ACC0002 | 105 × 150 | | | | | ● | |
| ACC0003 | 120 × 150 | | | | | ● | |
| ACC0004 | 100 × 180 | | | | | ● | |
| ACC0005 | 105 × 180 | | | | | ● | |
| ACC0006 | 120 × 180 | | | | | ● | |
| ACC0007 | 100 × 210 | | | | | ● | |
| ACC0008 | 105 × 210 | | | | | ● | |
| ACC0009 | 120 × 210 | | | | | ● | |

24型打込(5丁流)



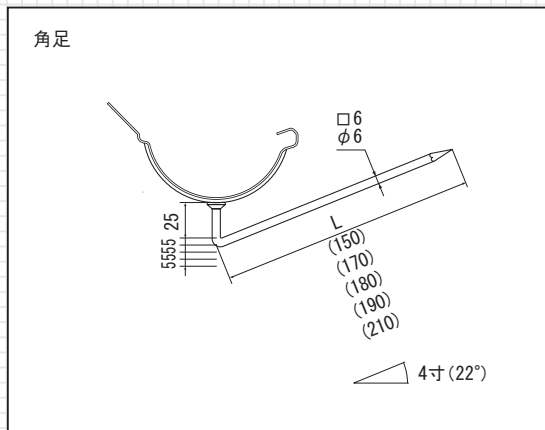
| コード NO. | サイズ | 材種 | 入数 | 勾配 | 在庫品 | 受注生産品 | 備考 |
|---------|-----------|-------------------|-----|----|-----|-------|----|
| ACC0010 | 100 × 150 | 1.2 × 24 (φ 6) | 200 | | | ● | |
| ACC0011 | 105 × 150 | | | | | ● | |
| ACC0012 | 120 × 150 | | | | | ● | |
| ACC0013 | 100 × 180 | | | | | ● | |
| ACC0014 | 105 × 180 | | | | | ● | |
| ACC0015 | 120 × 180 | | | | | ● | |
| ACC0016 | 100 × 210 | | | | | ● | |
| ACC0017 | 105 × 210 | | | | | ● | |
| ACC0018 | 120 × 210 | | | | | ● | |

ハーフ 24型打込(5丁流)



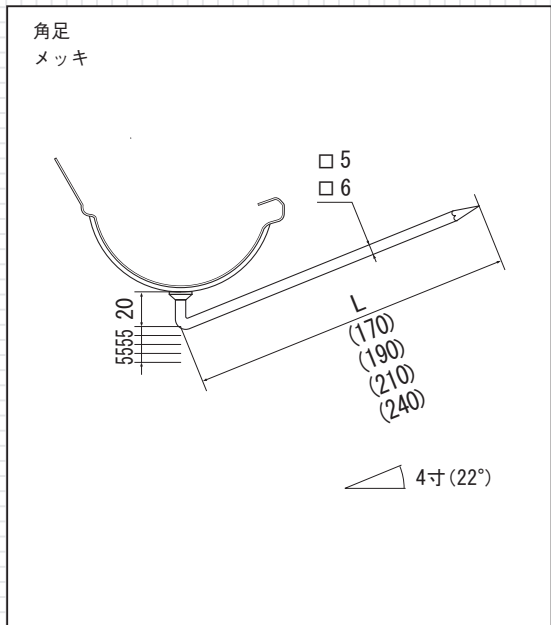
| コード NO. | サイズ | 材種 | 入数 | 勾配 | 在庫品 | 受注生産品 | 備考 |
|---------|-----------|-------------------|-----|----|-----|-------|----|
| ACC0091 | 100 × 150 | 1.2 × 24 (φ 6) | 200 | | | ● | |
| ACC0092 | 105 × 150 | | | | | ● | |
| ACC0093 | 120 × 150 | | | | | ● | |
| ACC0094 | 100 × 180 | | | | | ● | |
| ACA0095 | 105 × 180 | | | | | ○ | |
| ACC0096 | 120 × 180 | | | | | ● | |
| ACC0097 | 100 × 210 | | | | | ● | |
| ACC0098 | 105 × 210 | | | | | ● | |
| ACC0099 | 120 × 210 | | | | | ● | |

ハーフ 24型打込(5丁流)



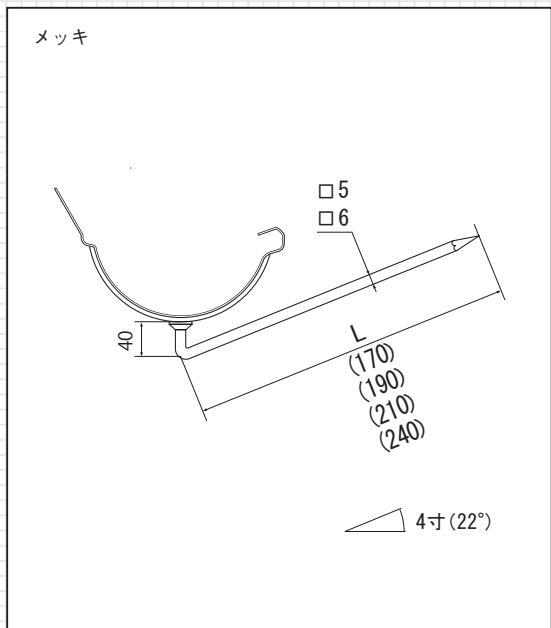
| コード NO. | サイズ | 材種 | 入数 | 勾配 | 在庫品 | 受注生産品 | 備考 |
|---------|-----------|-------------------|-----|----|-----|-------|----|
| ACC0100 | 100 × 170 | 1.2 × 24 (□ 6) | 200 | | | ● | |
| ACC0101 | 105 × 170 | | | | | ● | |
| ACC0102 | 120 × 170 | | | | | ● | |
| ACC0103 | 100 × 190 | | | | | ● | |
| ACC0104 | 105 × 190 | | | | | ● | |
| ACC0105 | 120 × 190 | | | | | ● | |
| ACC0106 | 100 × 210 | | | | | ● | |
| ACC0107 | 105 × 210 | | | | | ● | |
| ACC0108 | 120 × 210 | | | | | ● | |

24型打込（関東型）（5丁流）



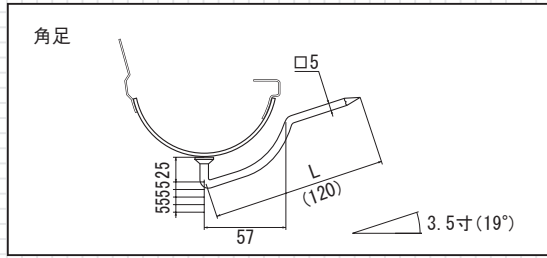
| コード NO. | サイズ | 材種 | 入数 | 勾配 | 在庫品 | 受注生産品 | 備考 | | | |
|---------|-----------|-------------------|-----|----|-------------------|-------|----|---|---|--|
| ACA0019 | 105 × 170 | 1.2 × 24 (□ 5) | 100 | | ○ | | | | | |
| ACA0021 | 105 × 190 | | | | ○ | | | | | |
| ACC0023 | 105 × 210 | | | | | ● | | | | |
| | 105 × 240 | | | | | ● | | | | |
| ACC0020 | 120 × 170 | | | | | ● | | | | |
| ACC0022 | 120 × 190 | | | | | ● | | | | |
| ACC0024 | 120 × 210 | | | | | ● | | | | |
| | 120 × 240 | | | | | ● | | | | |
| ACC0027 | 105 × 170 | | | | 1.2 × 24 (□ 6) | | | | ● | |
| ACC0028 | 105 × 190 | | | | | | | ● | | |
| ACC0163 | 105 × 210 | ● | | | | | | | | |
| ACC0164 | 105 × 240 | ● | | | | | | | | |
| ACC0165 | 120 × 170 | ● | | | | | | | | |
| ACC0166 | 120 × 190 | ● | | | | | | | | |
| ACC0167 | 120 × 210 | ● | | | | | | | | |
| | 120 × 240 | | ● | | | | | | | |

24型打込（関東型）（流れなし No.3）



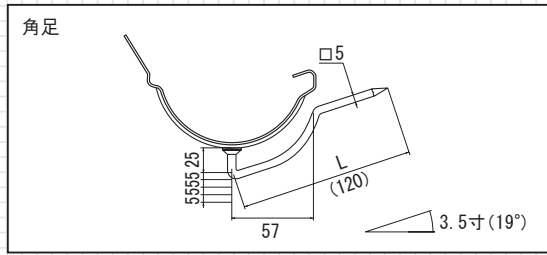
| コード NO. | サイズ | 材種 | 入数 | 勾配 | 在庫品 | 受注生産品 | 備考 |
|---------|-----------|-------------------|-----|----|-----|-------|----|
| ACA0025 | 105 × 190 | 1.2 × 24 (□ 5) | | | ○ | | |
| ACA0026 | 105 × 210 | | | | ○ | | |
| ACC0029 | 105 × 210 | 1.2 × 24 (□ 6) | 200 | | | ● | |
| ACC0030 | 105 × 240 | | | | ● | | |
| ACC0169 | 120 × 190 | 1.2 × 24 (□ 5) | | | | ● | |
| ACC0170 | 120 × 210 | | | | ● | | |
| ACC0172 | 120 × 210 | 1.2 × 24 (□ 6) | 150 | | | ● | |
| ACC0173 | 120 × 240 | | | | ● | | |

関東化粧打込



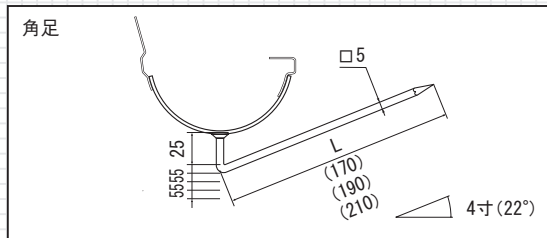
| コード NO. | サイズ | 材種 | 入数 | 勾配 | 在庫品 | 受注生産品 | 備考 |
|---------|----------|---------------------|-----|----|-----|-------|----|
| ACC0141 | 75 × 120 | 2.2 × 11.5 (□ 5) | 100 | | | ● | |
| ACC0142 | 80 × 120 | | | | | ● | |

関東 19 型化粧打込



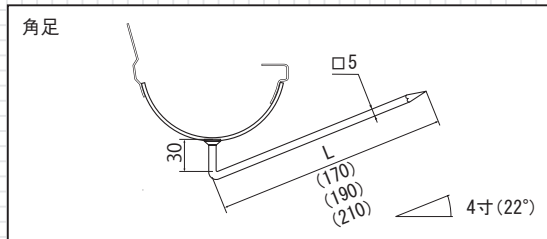
| コード NO. | サイズ | 材種 | 入数 | 勾配 | 在庫品 | 受注生産品 | 備考 |
|---------|-----------|-------------------|-----|----|-----|-------|----|
| ACC0143 | 100 × 120 | 1.2 × 19 (□ 5) | 100 | | | ● | |
| ACC0144 | 105 × 120 | | | | | ● | |
| ACC0145 | 120 × 120 | | | | | ● | |

関東型打込(5 丁流)



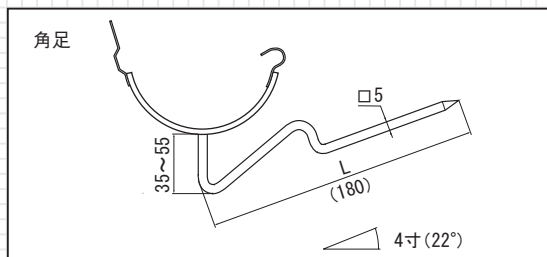
| コード NO. | サイズ | 材種 | 入数 | 勾配 | 在庫品 | 受注生産品 | 備考 |
|---------|-----------|-------------------|-----|----|-----|-------|----|
| ACC0191 | 105 × 170 | 3.2 × 13 (□ 5) | 100 | | | ● | |
| ACC0192 | 105 × 190 | | | | | ● | |
| ACC0193 | 105 × 210 | | | | | ● | |

関東型打込(流れなし)



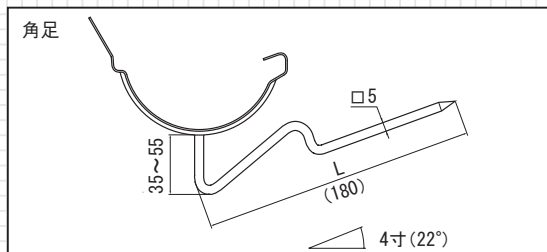
| コード NO. | サイズ | 材種 | 入数 | 勾配 | 在庫品 | 受注生産品 | 備考 |
|---------|-----------|-------------------|-----|----|-----|-------|----|
| ACC0194 | 105 × 170 | 3.2 × 13 (□ 5) | 100 | | | ● | |
| ACC0195 | 105 × 190 | | | | | ● | |
| ACC0196 | 105 × 210 | | | | | ● | |

関東型 S 型打込(5 丁流)



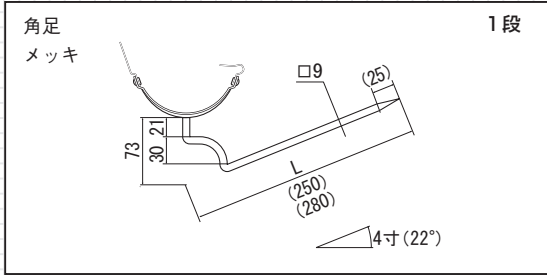
| コード NO. | サイズ | 材種 | 入数 | 勾配 | 在庫品 | 受注生産品 | 備考 |
|---------|----------|-------------------|-----|----|-----|-------|----|
| ACC0154 | 75 × 120 | 3.2 × 13 (□ 5) | 100 | | | ● | |
| ACC0155 | 80 × 120 | | | | | ● | |

19 型 S 型打込(5 丁流)

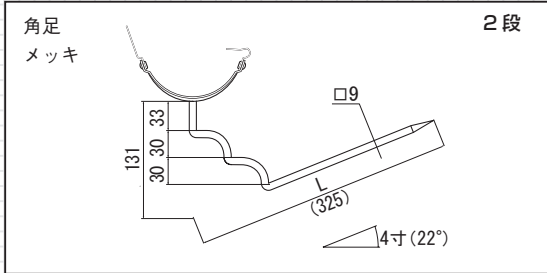


| コード NO. | サイズ | 材種 | 入数 | 勾配 | 在庫品 | 受注生産品 | 備考 |
|---------|-----------|-------------------|-----|----|-----|-------|----|
| ACC0156 | 100 × 150 | 1.2 × 19 (□ 5) | 100 | | | ● | |
| ACC0157 | 105 × 180 | | | | | ● | |
| ACC0158 | 120 × 180 | | | | | ● | |

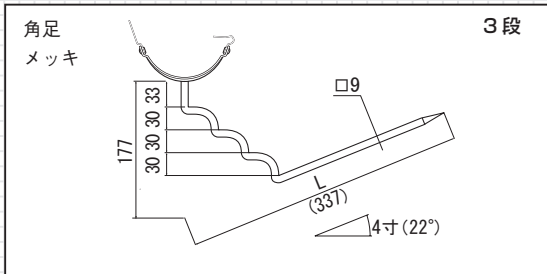
地上打込 (銅爪付)



| コード NO. | サイズ | 材種 | 入数 | 勾配 | 在庫品 | 受注生産品 | 備考 |
|---------|----------|-------------------|----|----|-----|-------|----|
| AEC0101 | 105 | 2.6 × 19 (□ 9) | 50 | | | ● | |
| AEC0102 | 120 | | | | | ● | |
| AEC0103 | 120 マルシン | | | | | ● | |

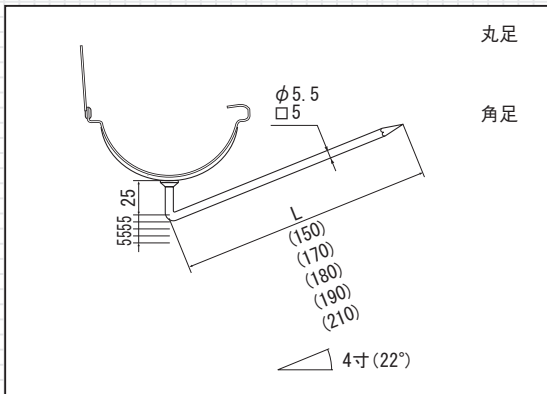


| コード NO. | サイズ | 材種 | 入数 | 勾配 | 在庫品 | 受注生産品 | 備考 |
|---------|----------|-------------------|----|----|-----|-------|----|
| AEC0104 | 105 | 2.6 × 19 (□ 9) | 50 | | | ● | |
| AEC0105 | 120 | | | | | ● | |
| AEC0106 | 120 マルシン | | | | | ● | |



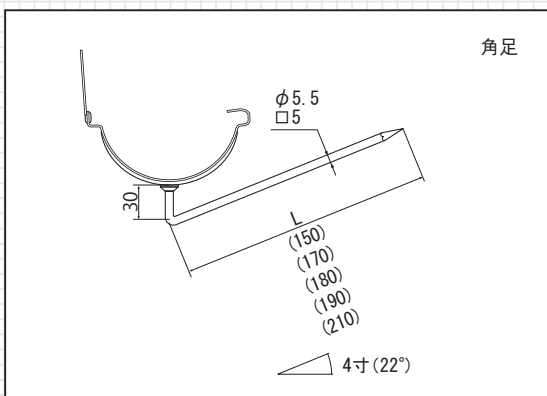
| コード NO. | サイズ | 材種 | 入数 | 勾配 | 在庫品 | 受注生産品 | 備考 |
|---------|----------|-------------------|----|----|-----|-------|----|
| AEC0107 | 105 | 2.6 × 19 (□ 9) | 50 | | | ● | |
| AEC0108 | 120 | | | | | ● | |
| AEC0109 | 120 マルシン | | | | | ● | |

ステン爪打込 (5丁流)



| コード NO. | サイズ | 材種 | 入数 | 勾配 | 在庫品 | 受注生産品 | 備考 |
|---------|-----------|-------------------|-----|----|-----|-------|----|
| ACC0089 | 105 × 150 | 2 × 13 (φ 5.5) | 150 | | ○ | | |
| ACA0090 | 105 × 180 | | | | ○ | | |
| ACC0181 | 100 × 170 | 2 × 13 (□ 5) | 100 | | | ● | |
| ACC0182 | 100 × 190 | | | | | ● | |
| ACC0183 | 100 × 210 | | | | | ● | |
| ACC0184 | 105 × 170 | | | | | ● | |
| ACC0185 | 105 × 190 | | | | | ● | |
| ACC0186 | 105 × 210 | | | | | ● | |

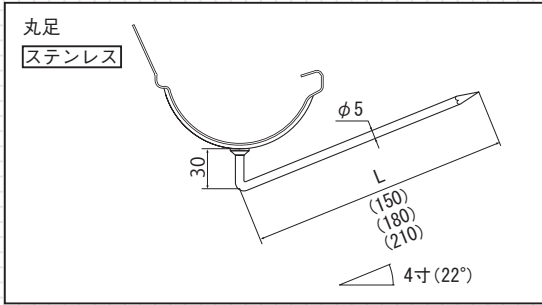
ステン爪打込 (流れなし)



| コード NO. | サイズ | 材種 | 入数 | 勾配 | 在庫品 | 受注生産品 | 備考 |
|---------|-----------|-----------------|-----|----|-----|-------|----|
| ACC0187 | 105 × 170 | 2 × 13 (□ 5) | 100 | | | ● | |
| ACC0188 | 105 × 190 | | | | | ● | |
| ACC0189 | 105 × 210 | | | | | ● | |

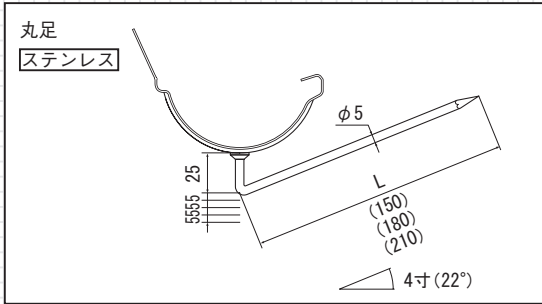
ステンレス 半丸打込

19 型打込 (流れなし)



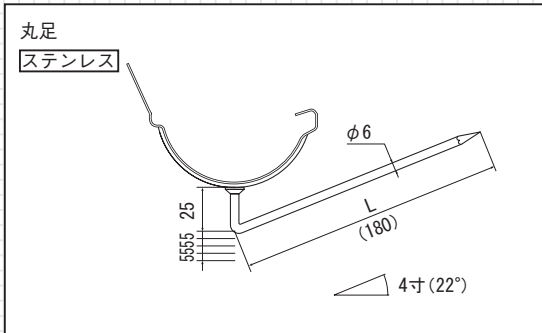
| コード NO. | サイズ | 材種 | 入数 | 勾配 | 在庫品 | 受注生産品 | 備考 |
|----------|-----------|-----------------|-----|----|-----|-------|----|
| AMA00000 | 105 × 210 | 1 × 19 (φ 5) | 150 | | ○ | | |
| AMC00010 | 100 × 150 | | | | | ● | |
| AMA00020 | 105 × 150 | | | | ○ | | |
| AMA00030 | 105 × 180 | | | | ○ | | |
| AMA00040 | 120 × 180 | | | | ○ | | |
| AMC00050 | 120 × 210 | | | | | | ● |

19 型打込 (5 丁流)



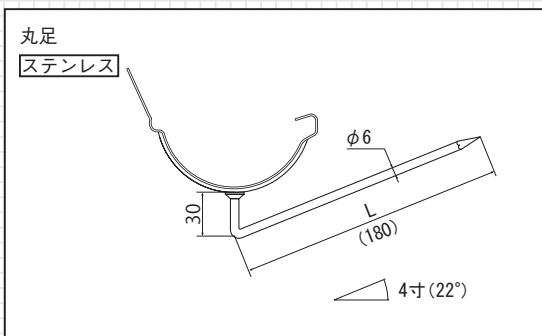
| コード NO. | サイズ | 材種 | 入数 | 勾配 | 在庫品 | 受注生産品 | 備考 |
|---------|-----------|-----------------|-----|----|-----|-------|----|
| AMA0006 | 105 × 180 | 1 × 19 (φ 5) | 150 | | ○ | | |

24 型打込 (5 丁流)



| コード NO. | サイズ | 材種 | 入数 | 勾配 | 在庫品 | 受注生産品 | 備考 |
|---------|-----------|-----------------|-----|----|-----|-------|----|
| AMA0007 | 105 × 180 | 1 × 24 (φ 6) | 150 | | ○ | | |
| AMC0008 | 120 × 180 | | | | | ● | |

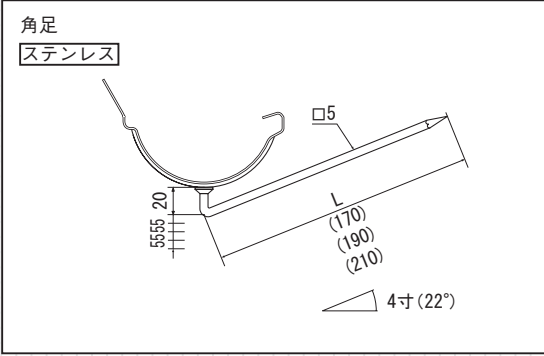
24 型打込 (流れなし)



| コード NO. | サイズ | 材種 | 入数 | 勾配 | 在庫品 | 受注生産品 | 備考 |
|---------|-----------|-----------------|-----|----|-----|-------|----|
| AMC0009 | 105 × 180 | 1 × 24 (φ 6) | 150 | | | ● | |
| AMC0010 | 120 × 180 | | | | | ● | |

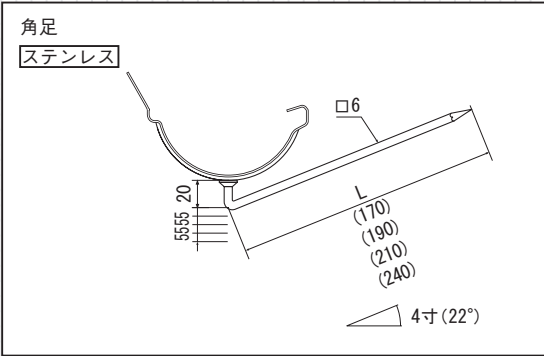


19 型角打込 (5 丁流) 5mm角



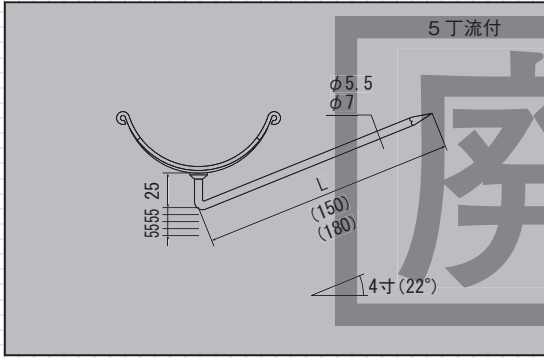
| コード NO. | サイズ | 材種 | 入数 | 勾配 | 在庫品 | 受注生産品 | 備考 |
|---------|-----------|-----------------|-----|----|-----|-------|----|
| AMC0471 | 100 × 170 | 1 × 19 (□ 5) | 100 | | | ● | |
| AMC0472 | 100 × 190 | | | | | ● | |
| AMA0473 | 105 × 170 | | | ○ | | | |
| AMA0474 | 105 × 190 | | | ○ | | | |
| AMC0475 | 120 × 170 | | | | | ● | |
| AMC0476 | 120 × 190 | | | | | ● | |
| AMC0477 | 120 × 210 | | | | | ● | |

19 型角打込 (5 丁流) 6mm角



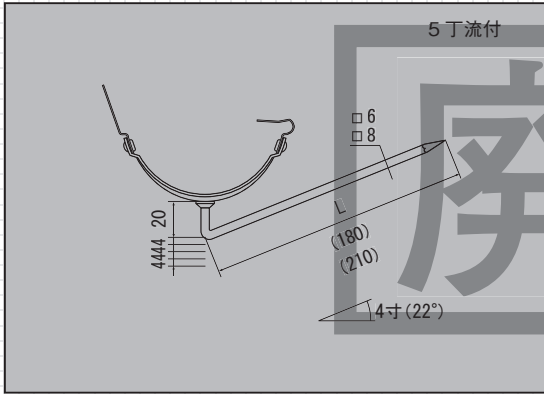
| コード NO. | サイズ | 材種 | 入数 | 勾配 | 在庫品 | 受注生産品 | 備考 |
|---------|-----------|-----------------|-----|----|-----|-------|----|
| AMC0481 | 100 × 170 | 1 × 19 (□ 6) | 100 | | | ● | |
| AMC0482 | 100 × 190 | | | | | ● | |
| AMC0483 | 100 × 210 | | | | | ● | |
| AMC0484 | 105 × 170 | | | | | ● | |
| AMC0485 | 105 × 190 | | | | | ● | |
| AMC0486 | 105 × 210 | | | | | ● | |
| AMC0487 | 120 × 170 | | | | | ● | |
| AMC0488 | 120 × 190 | | | | | ● | |
| AMC0489 | 120 × 210 | | | | | ● | |

銅打込 (丸足)



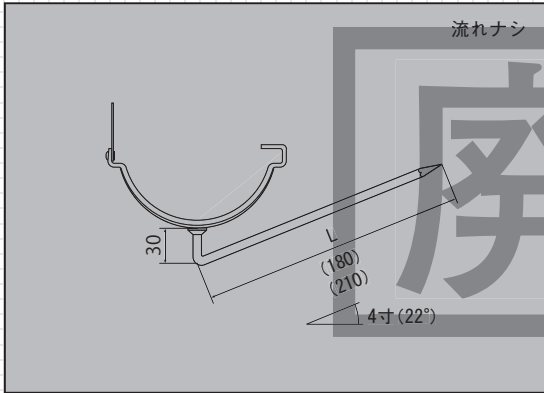
| コード NO. | サイズ | 材種 | 入数 | 勾配 | 在庫品 | 受注生産品 | 備考 |
|---------|-----------|---------------------|-----|----|-----|-------|----|
| ALC0121 | 100 × 150 | 2.2 × 11 (φ 5.5) | 250 | | | ● | |
| ALC0122 | 100 × 180 | | | | | ● | |
| ALC0123 | 105 × 150 | | | | | ● | |
| ALC0124 | 105 × 180 | | | | | ● | |
| ALC0125 | 120 × 150 | | | | | ● | |
| ALC0126 | 120 × 180 | | | | | ● | |
| ALC0127 | 100 × 180 | 2.8 × 13 (φ 7) | | | | ● | |
| ALC0128 | 105 × 180 | | | | | ● | |
| ALC0129 | 120 × 180 | | | | | ● | |

関東銅角打込爪付



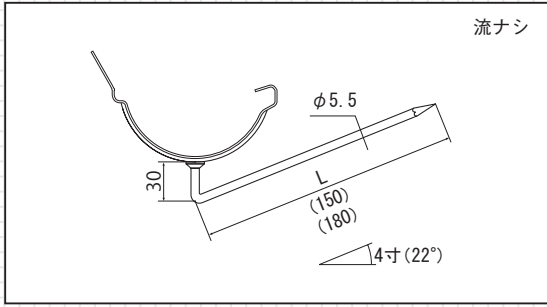
| コード NO. | サイズ | 材種 | 入数 | 勾配 | 在庫品 | 受注生産品 | 備考 |
|---------|-----------|-------------------|-----|----|-----|-------|----|
| ALC0151 | 105 × 180 | 2.8 × 15 (□ 6) | 100 | | ○ | | |
| ALC0153 | 105 × 210 | | 50 | | ○ | | |
| ALC0154 | 120 × 180 | 2.8 × 15 (□ 6) | 100 | | | ● | |
| ALC0152 | 120 × 210 | | 50 | | | ● | |

銅 T- II 型扇形打込



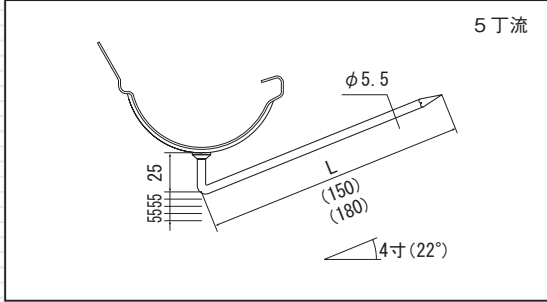
| コード NO. | サイズ | 材種 | 入数 | 勾配 | 在庫品 | 受注生産品 | 備考 |
|---------|-----------|----|-----|----|-----|-------|-----|
| ALC0155 | 105 × 180 | | 250 | | | ● | |
| ALC0156 | 105 × 210 | | | | | ● | |
| ALC0157 | 105 × 180 | | 200 | | | ● | 5丁流 |
| ALC0158 | 105 × 210 | | | | | ● | 5丁流 |

銅 19 型打込 (流れなし)



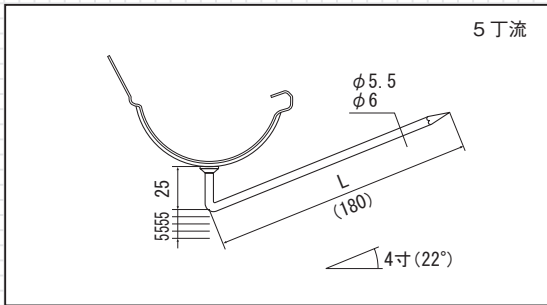
| コード NO. | サイズ | 材種 | 入数 | 勾配 | 在庫品 | 受注生産品 | 備考 |
|---------|-----------|---------------------|-----|----|-----|-------|----|
| ALC0192 | 100 × 150 | 1.2 × 19 (φ 5.5) | 250 | | | ● | |
| ALC0195 | 100 × 180 | | | | | ● | |
| ALC0193 | 105 × 150 | | | | | ● | |
| ALC0196 | 105 × 180 | | | | ○ | | |
| ALC0194 | 120 × 150 | | | | | ● | |
| ALC0197 | 120 × 180 | | | | | ● | |

銅 関東型打込 (5 丁流)



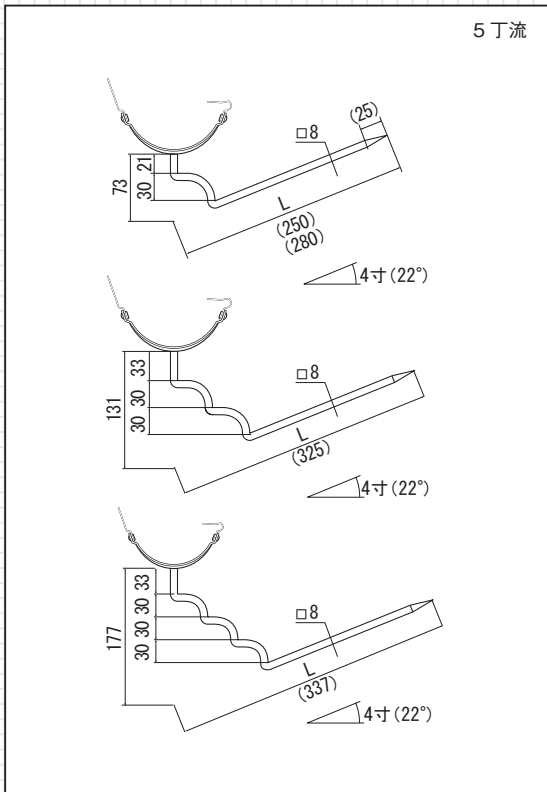
| コード NO. | サイズ | 材種 | 入数 | 勾配 | 在庫品 | 受注生産品 | 備考 |
|---------|-----------|---------------------|-----|----|-----|-------|----|
| ALC0198 | 100 × 150 | 1.2 × 19 (φ 5.5) | 250 | | | ● | |
| ALC0201 | 100 × 180 | | | | | ● | |
| ALC0199 | 105 × 150 | | | | | ● | |
| ALC0202 | 105 × 180 | | | | | ● | |
| ALC0200 | 120 × 150 | | | | | ● | |
| ALC0203 | 120 × 180 | | | | | ● | |

銅 24 型打込



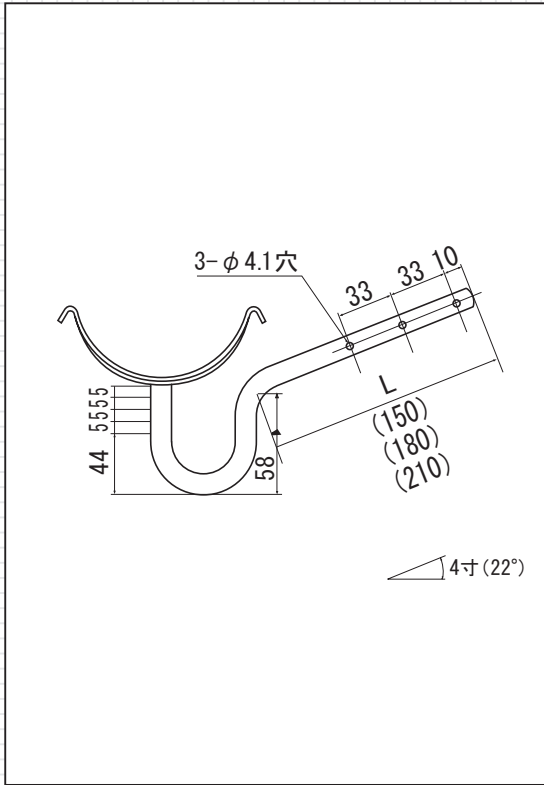
| コード NO. | サイズ | 材種 | 入数 | 勾配 | 在庫品 | 受注生産品 | 備考 |
|---------|-----------|---------------------|-----|----|-----|-------|----|
| ALC0204 | 105 × 180 | 1.2 × 24 (φ 5.5) | 150 | | | ● | |
| ALC0205 | 120 × 180 | 1.2 × 24 (φ 6) | | | | ● | |
| ALC0206 | 105 × 180 | 1.2 × 24 (φ 6) | 200 | | | ● | |

銅 関東型打込



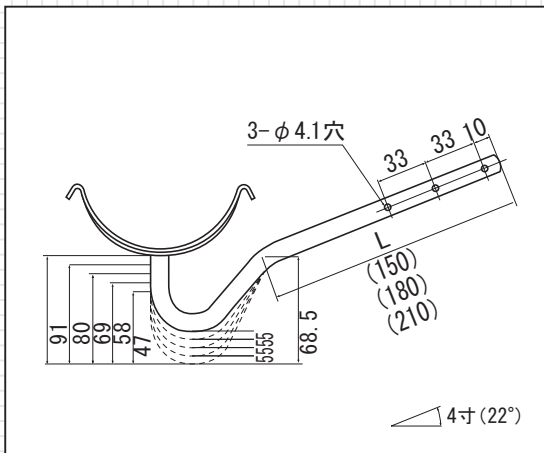
| コード NO. | サイズ | 材種 | 入数 | 勾配 | 在庫品 | 受注生産品 | 備考 |
|---------|-----------|-------------------|----|----|-----|-------|----|
| ALC0171 | 105 × 220 | 2.8 × 15 (□ 6) | 50 | | | ● | |
| ALC0172 | 105 × 250 | 2.8 × 15 (□ 8) | | | | ● | |
| ALC0173 | 120 × 280 | | | | | ● | |
| ALC0174 | 105 × 325 | | | | | ● | |
| ALC0175 | 120 × 325 | | | | | ● | |
| ALC0176 | 105 × 337 | | | | | ● | |
| ALC0177 | 120 × 337 | | | | | ● | |

T型ツル首 (大阪型)



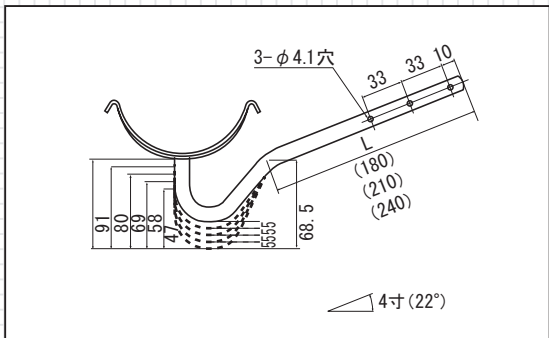
| コード NO. | サイズ | 材種 | 入数 | 勾配 | 在庫品 | 受注生産品 | 備考 | | |
|---------|-----------|------------|-----|----------|---------|-------|----|---|--|
| ADC0001 | 75 × 150 | 2.2 × 11.5 | 250 | | | ● | | | |
| ADC0002 | 100 × 150 | | | | | ● | | | |
| ADA0003 | 105 × 150 | | | | ○ | | | | |
| ADC0004 | 120 × 150 | | | | | ● | | | |
| ADC0005 | 100 × 180 | | | | | ● | | | |
| ADC0006 | 105 × 180 | | | | | ● | | | |
| ADC0007 | 120 × 180 | | | | | ● | | | |
| ADC0008 | 75 × 180 | 2.8 × 13 | 200 | | | ● | | | |
| ADC0009 | 100 × 180 | | | | | ● | | | |
| ADA0010 | 105 × 180 | | | | ○ 新茶 | | | | |
| ADC0011 | 120 × 180 | | | | | ● | | | |
| ADC0012 | 150 × 180 | | | | | ● | | | |
| ADC0013 | 100 × 210 | | | | | ● | | | |
| ADA0014 | 105 × 210 | | | | ○ | | | | |
| ADC0015 | 120 × 210 | | | | | ● | | | |
| ADC0016 | 100 × 180 | | | 4.5 × 13 | 100 | | | ● | |
| ADC0017 | 105 × 180 | | | | | | | ● | |
| ADC0018 | 120 × 180 | | | | | ● | | | |
| ADC0019 | 105 × 210 | | | | | ● | | | |
| ADC0020 | 120 × 210 | | | | | ● | | | |

T型ツル首 (宇部首高)



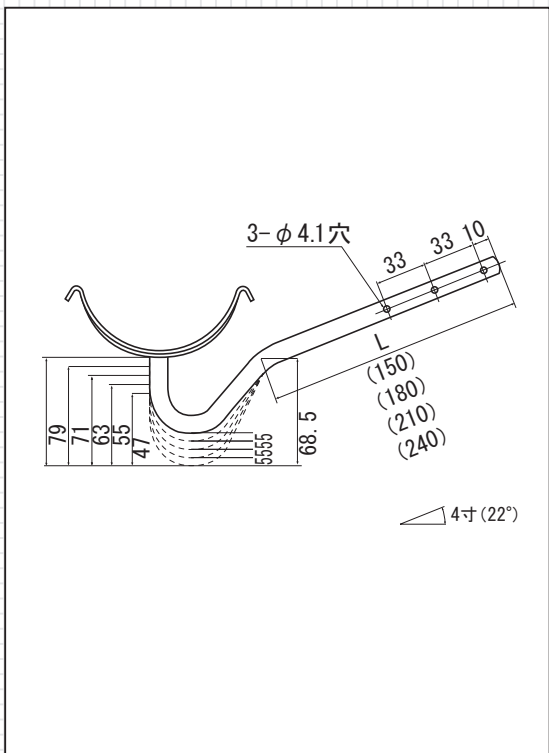
| コード NO. | サイズ | 材種 | 入数 | 勾配 | 在庫品 | 受注生産品 | 備考 |
|---------|-----------|------------|-----|----------|-----|-------|----|
| ADC0021 | 100 × 150 | 2.2 × 11.5 | 250 | | | ● | |
| ADC0022 | 105 × 150 | | | | | ● | |
| ADC0023 | 120 × 150 | | | | | ● | |
| ADC0024 | 100 × 180 | | | | | ● | |
| ADA0025 | 105 × 180 | | | | ○ | | |
| ADC0026 | 120 × 180 | | | | | ● | |
| ADC0027 | 100 × 180 | | | 2.8 × 13 | 200 | | |
| ADA0028 | 105 × 180 | | ○ | | | | |
| ADC0029 | 120 × 180 | | | | | ● | |
| ADC0030 | 105 × 210 | | | | | ● | |
| ADC0031 | 120 × 210 | | 150 | | | ● | |

T型ツル首 (字部首高)



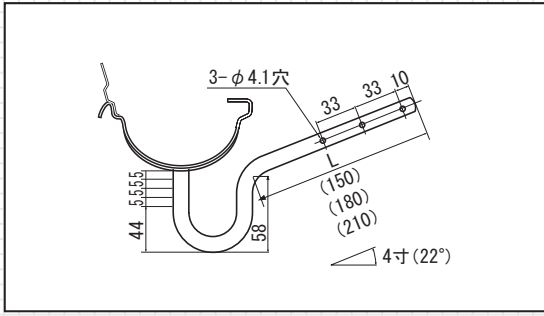
| コード NO. | サイズ | 材種 | 入数 | 勾配 | 在庫品 | 受注生産品 | 備考 |
|---------|-----------|----------|-----|----|-----|-------|----|
| ADC0032 | 105 × 240 | 2.8 × 13 | 150 | | | ● | |
| ADC0033 | 120 × 240 | | | | | | |
| ADC0034 | 105 × 180 | 2.6 × 16 | 100 | | | ● | |
| ADC0036 | 105 × 210 | | | | | | |
| ADC0038 | 105 × 240 | | | | | | |
| ADC0035 | 120 × 180 | | | | | | |
| ADC0037 | 120 × 210 | | | | | | |
| ADC0039 | 120 × 240 | | | | | | |

T型ツル首 (字部首低)



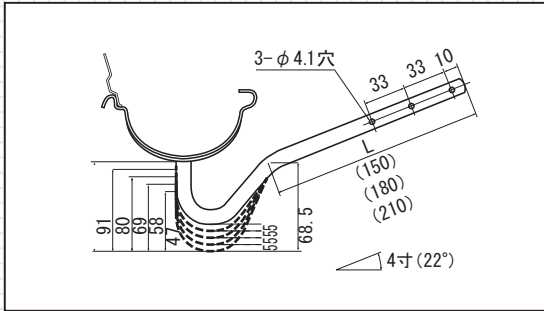
| コード NO. | サイズ | 材種 | 入数 | 勾配 | 在庫品 | 受注生産品 | 備考 |
|---------|-----------|------------|-----|----|-----|-------|----|
| ADC0041 | 100 × 150 | 2.2 × 11.5 | 250 | | | ● | |
| ADC0044 | 100 × 180 | | | | | | |
| ADA0042 | 105 × 150 | | | | | | |
| ADA0045 | 105 × 180 | | | | | | |
| ADC0043 | 120 × 150 | | | | | | |
| ADC0046 | 120 × 180 | 2.8 × 13 | 200 | | | ● | |
| ADC0047 | 100 × 180 | | | | | | |
| ADA0048 | 105 × 180 | | | | | | |
| ADC0050 | 105 × 210 | | | | | | |
| ADA0052 | 105 × 240 | | | | | | |
| ADC0049 | 120 × 180 | | | | | | |
| ADC0051 | 120 × 210 | 2.6 × 16 | 100 | | | ● | |
| ADC0053 | 120 × 240 | | | | | | |
| ADC0054 | 105 × 180 | | | | | | |
| ADC0056 | 105 × 210 | | | | | | |
| ADC0058 | 105 × 240 | | | | | | |
| ADC0055 | 120 × 180 | 2.6 × 16 | 100 | | | ● | |
| ADC0057 | 120 × 210 | | | | | | |
| ADC0059 | 120 × 240 | | | | | ● | |

T-Ⅱ T型ツル首 (大阪型)



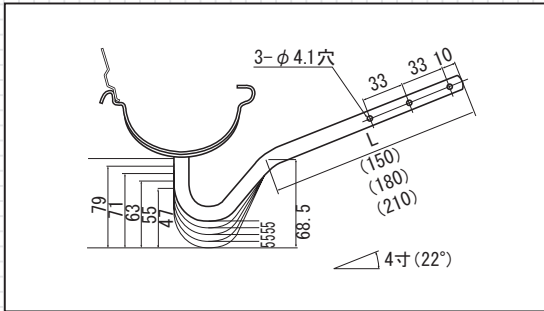
| コード NO. | サイズ | 材種 | 入数 | 勾配 | 在庫品 | 受注生産品 | 備考 |
|---------|-----------|------------------------|-----|----|-----|-------|----|
| ADC0065 | 105 × 150 | 2 × 13 (2.2 × 11.5) | 200 | | | ● | |
| ADC0066 | 105 × 180 | | | | | | |
| ADC0067 | 105 × 210 | | | | | | |

T-Ⅱ型ツル首 (宇部首高)



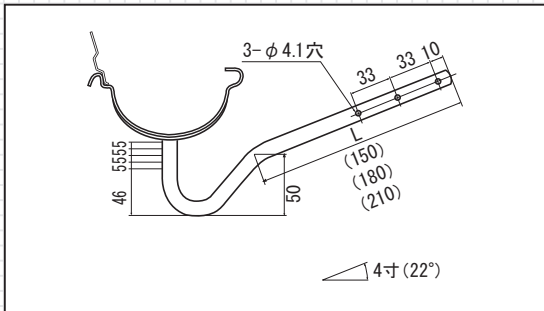
| コード NO. | サイズ | 材種 | 入数 | 勾配 | 在庫品 | 受注生産品 | 備考 |
|---------|-----------|------------------------|-----|----|-----|-------|----|
| ADA0068 | 105 × 150 | 2 × 13 (2.2 × 11.5) | 200 | | ○ | | |
| ADA0069 | 105 × 180 | | | | | | |
| ADC0070 | 105 × 210 | | | | | | |

T-Ⅱ型ツル首 (宇部首低)



| コード NO. | サイズ | 材種 | 入数 | 勾配 | 在庫品 | 受注生産品 | 備考 |
|---------|-----------|------------------------|-----|----|-----|-------|----|
| ADA0071 | 105 × 150 | 2 × 13 (2.2 × 11.5) | 200 | | ○ | | |
| ADA0072 | 105 × 180 | | | | | | |
| ADC0073 | 105 × 210 | | | | | | |

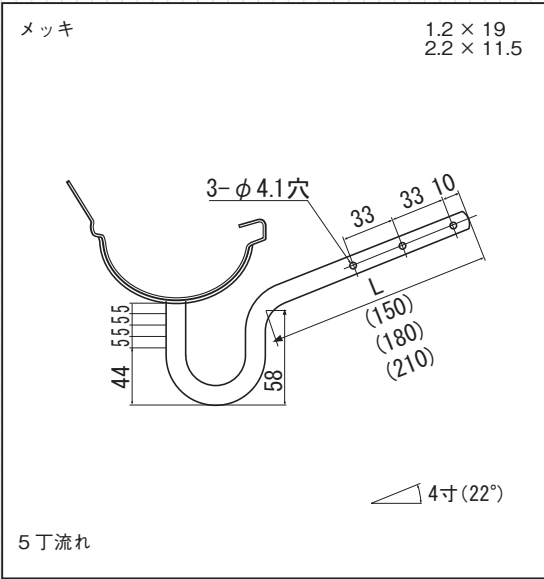
T-Ⅱ型ツル首 (九州型)



| コード NO. | サイズ | 材種 | 入数 | 勾配 | 在庫品 | 受注生産品 | 備考 |
|---------|-----------|------------------------|-----|----|-----|-------|----|
| ADA0074 | 105 × 150 | 2 × 13 (2.2 × 11.5) | 200 | | ○ | | |
| ADA0075 | 105 × 180 | | | | | | |
| ADC0076 | 105 × 210 | | | | | | |



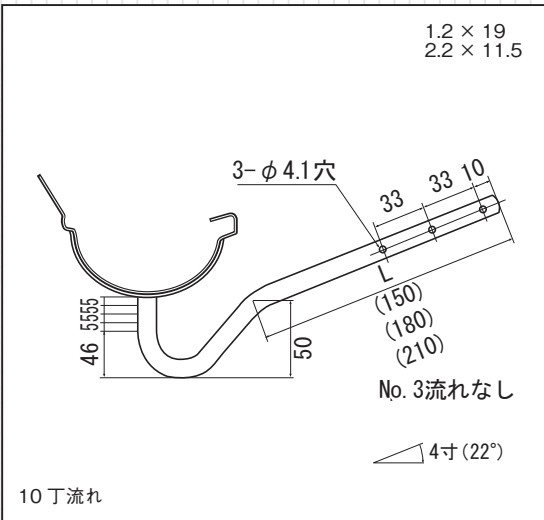
19 型ツル首 (大阪型)



| コード NO. | サイズ | 表面処理 | | | | | 入数 | 勾配 | 備考 |
|---------|-----------|------|----|----|-----|--------|-----|----|----|
| | | 生地 | 新茶 | 黒 | ミルク | ダークグレイ | | | |
| | | BRO | BK | MW | DGY | | | | |
| ADA0081 | 100 × 150 | ○ | ● | ● | ● | ● | 200 | | |
| ADC0084 | 100 × 180 | ● | ● | ● | ● | ● | | | |
| ADC0087 | 100 × 210 | ● | ● | ● | ● | ● | | | |
| ADA0082 | 105 × 150 | ○ | ○ | ○ | ● | ● | | | |
| ADA0085 | 105 × 180 | ○ | ○ | ○ | ● | ● | | | |
| ADC0088 | 105 × 210 | ● | ● | ● | ● | ● | | | |
| ADA0083 | 120 × 150 | ○ | ● | ● | ● | ● | | | |
| ADA0086 | 120 × 180 | ○ | ○ | ● | ● | ● | | | |
| ADC0089 | 120 × 210 | ● | ● | ● | ● | ● | | | |

○…在庫品 ●…受注生産品

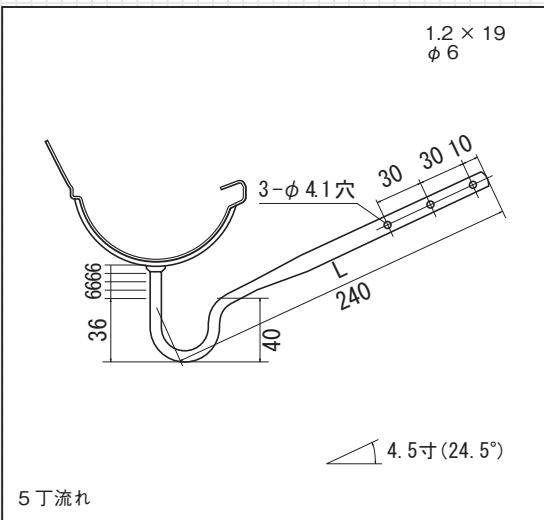
19 型ツル首 (九州型)



| コード NO. | サイズ | 表面処理 | | | | | 入数 | 勾配 | 備考 |
|---------|-----------|------|----|----|-----|--------|-----|----|----|
| | | 生地 | 新茶 | 黒 | ミルク | ダークグレイ | | | |
| | | BRO | BK | MW | DGY | | | | |
| ADC0109 | 100 × 150 | ● | ● | ● | ● | ● | 200 | | |
| ADA0110 | 105 × 150 | ○ | ○ | ○ | ● | ● | | | |
| ADA0113 | 105 × 180 | ○ | ○ | ○ | ● | ○ | | | |
| ADC0116 | 105 × 210 | ● | ● | ● | ● | ● | | | |
| ADA0118 | 105 × 180 | ○ | ○ | ● | ● | ● | | | |
| ADC0111 | 120 × 150 | ● | ● | ● | ● | ● | | | |
| ADA0114 | 120 × 180 | ○ | ○ | ● | ● | ● | | | |
| ADC0117 | 120 × 210 | ● | ● | ● | ● | ● | | | |

○…在庫品 ●…受注生産品

19 型ツル首 (愛知型)

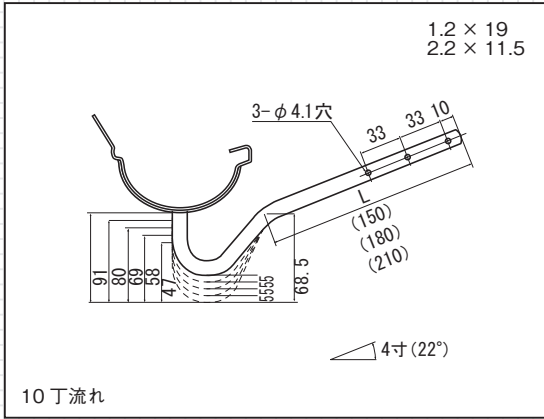


| コード NO. | サイズ | 表面処理 | | | | | 入数 | 勾配 | 備考 |
|---------|-----------|------|----|----|-----|--------|-----|----|----|
| | | 生地 | 新茶 | 黒 | ミルク | ダークグレイ | | | |
| | | BRO | BK | MW | DGY | | | | |
| ADA0139 | 105 × 230 | ○ | | | | | 200 | | |
| | | | ○ | ○ | ● | ● | 100 | | |
| ADC0140 | 120 × 230 | ● | | | | | 200 | | |
| | | | ● | ● | ● | ● | 100 | | |

○…在庫品 ●…受注生産品



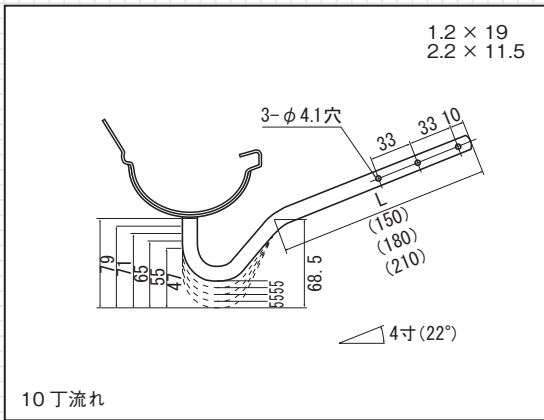
19型ツル首 (宇部首高)



| コード NO. | サイズ | 表面処理 | | | | | 入数 | 勾配 | 備考 |
|---------|-----------|------|----|----|-----|--------|-----|----|----|
| | | 生地 | 新茶 | 黒 | ミルク | ダークグレイ | | | |
| | | BRO | BK | MW | DGY | | | | |
| ADA0091 | 105 × 150 | ○ | ● | ● | ● | ● | 200 | | |
| ADA0094 | 105 × 180 | ○ | ● | ● | ● | ● | | | |
| ADC0097 | 105 × 210 | ● | ● | ● | ● | ● | | | |
| ADC0092 | 120 × 150 | ● | ● | ● | ● | ● | | | |
| ADC0095 | 120 × 180 | ● | ● | ● | ● | ● | | | |
| ADC0098 | 120 × 210 | ● | ● | ● | ● | ● | | | |

○…在庫品 ●…受注生産品

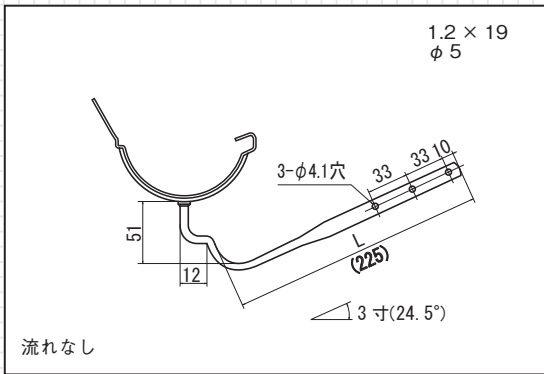
19型ツル首 (宇部首低)



| コード NO. | サイズ | 表面処理 | | | | | 入数 | 勾配 | 備考 |
|---------|-----------|------|----|----|-----|--------|-----|----|----|
| | | 生地 | 新茶 | 黒 | ミルク | ダークグレイ | | | |
| | | BRO | BK | MW | DGY | | | | |
| ADA0100 | 105 × 150 | ○ | ● | ● | ● | ● | 200 | | |
| ADA0103 | 105 × 180 | ○ | ● | ● | ● | ● | | | |
| ADC0106 | 105 × 210 | ● | ● | ● | ● | ● | | | |
| ADC0101 | 120 × 150 | ● | ● | ● | ● | ● | | | |
| ADC0104 | 120 × 180 | ● | ● | ● | ● | ● | | | |
| ADC0107 | 120 × 210 | ● | ● | ● | ● | ● | | | |

○…在庫品 ●…受注生産品

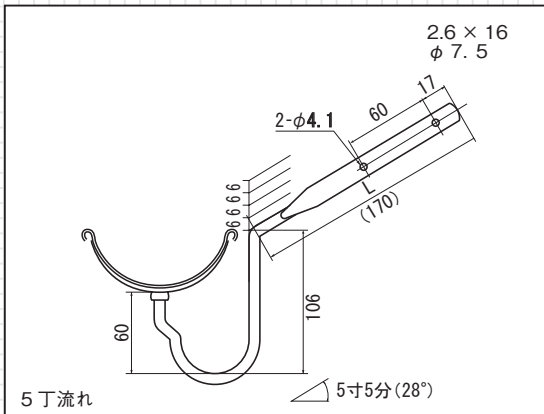
19型ツル首 (土佐型)



| コード NO. | サイズ | 表面処理 | | | | | 入数 | 勾配 | 備考 |
|---------|-----------|------|----|----|-----|--------|-----|----|----|
| | | 生地 | 新茶 | 黒 | ミルク | ダークグレイ | | | |
| | | BRO | BK | MW | DGY | | | | |
| ADA0145 | 105 × 225 | ○ | ● | ● | ● | ● | 200 | | |
| ADC0146 | 120 × 225 | ● | ● | ● | ● | ● | | | |

○…在庫品 ●…受注生産品

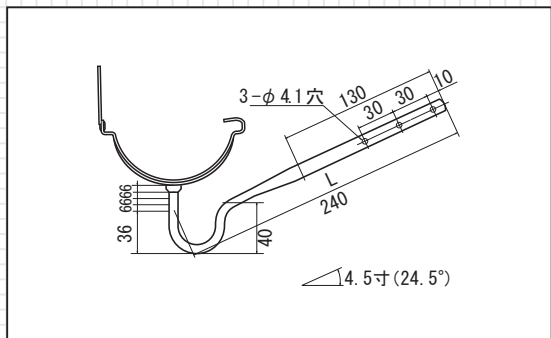
丸ツル首モッコ付 (2半丸)



| コード NO. | サイズ | 表面処理 | | | | | 入数 | 勾配 | 備考 |
|---------|-----------|------|----|----|-----|--------|-----|----|----|
| | | 生地 | 新茶 | 黒 | ミルク | ダークグレイ | | | |
| | | BRO | BK | MW | DGY | | | | |
| ADA0135 | 100 × 170 | ○ | ● | ● | ● | ● | 150 | | |
| ADA0136 | 105 × 170 | ○ | ○ | ○ | ● | ● | | | |
| ADA0137 | 120 × 170 | ○ | ● | ● | ● | ● | | | |

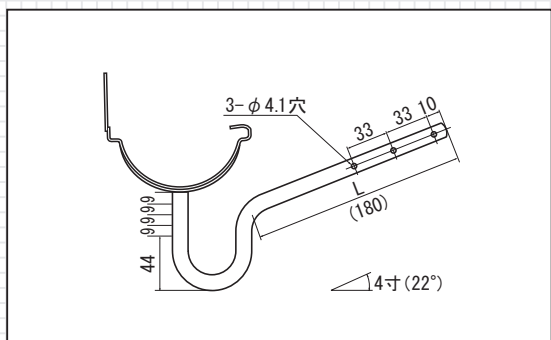
○…在庫品 ●…受注生産品

ステン爪丸ツル首 (愛知型)



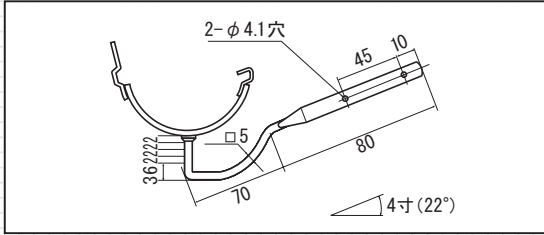
| コード NO. | サイズ | 材種 | 入数 | 勾配 | 在庫品 | 受注生産品 | 備考 |
|---------|-----|-----------------|-----|----|-----|-------|----|
| ADC0155 | 105 | 2 × 13 (φ 6) | 200 | | | ● | |

ステン爪丸ツル首 (三重型)



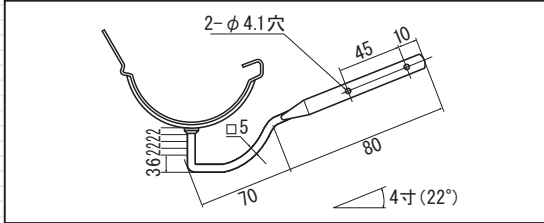
| コード NO. | サイズ | 材種 | 入数 | 勾配 | 在庫品 | 受注生産品 | 備考 |
|---------|-----|------------------------|-----|----|-----|-------|----|
| ADA0156 | 105 | 2 × 12 (2.2 × 11.5) | 150 | | ○ | | |

関東化粧横打



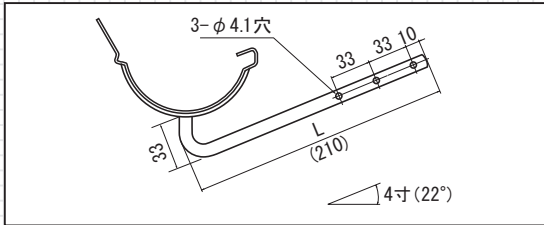
| コード NO. | サイズ | 材種 | 入数 | 勾配 | 在庫品 | 受注生産品 | 備考 |
|---------|-----|-----------------|-----|----|-----|-------|----|
| ACC0146 | 75 | 2 × 13 (□ 5) | 100 | | | ● | |
| ACC0147 | 80 | | | | | | |

19型化粧横打



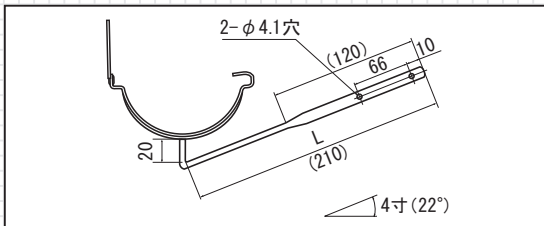
| コード NO. | サイズ | 材種 | 入数 | 勾配 | 在庫品 | 受注生産品 | 備考 |
|---------|-----|-------------------|-----|----|-----|-------|----|
| ACC0151 | 100 | 1.2 × 19 (□ 5) | 100 | | | ● | |
| ACC0152 | 105 | | | | | | |
| ACC0153 | 120 | | | | | | |

19型横打(土佐型)流れなし



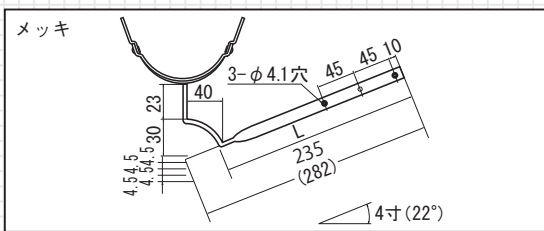
| コード NO. | サイズ | 材種 | 入数 | 勾配 | 在庫品 | 受注生産品 | 備考 |
|---------|-----|------------------------|-----|----|-----|-------|----|
| ADC0151 | 100 | 1.2 × 19 (2.2 × 11) | 250 | | ○ | ● | |
| ADA0152 | 105 | | | | | | |
| ADC0153 | 120 | | | | | | |

ステン爪丸横打

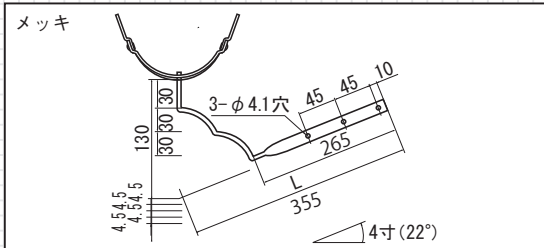


| コード NO. | サイズ | 材種 | 入数 | 勾配 | 在庫品 | 受注生産品 | 備考 |
|---------|-----------|-------------------|-----|----|-----|-------|----|
| ADC0154 | 105 × 210 | 2 × 13 (φ 5.5) | 250 | | | ● | |

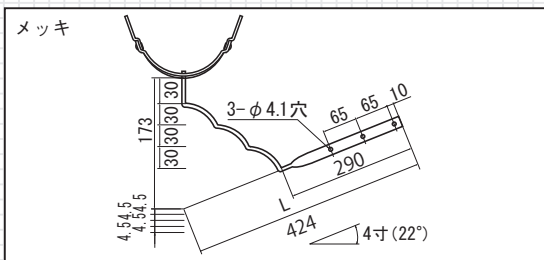
地上横打(銅爪付)



| コード NO. | サイズ | 材種 | 入数 | 勾配 | 在庫品 | 受注生産品 | 備考 |
|---------|-------------|----------------------------|----|----|-----|-------|----|
| AEC0045 | 105 | 一段 3 × 19 (5.5 × 15) | 50 | | | ● | |
| AEC0046 | 120 | | | | | | |
| AEC0047 | 120 マルシン | | | | | | |

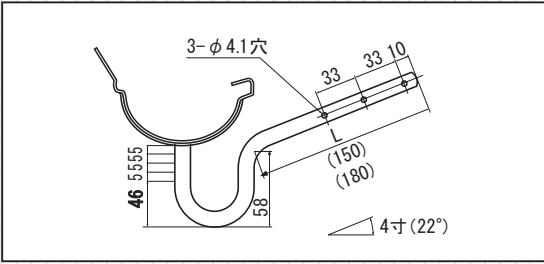


| コード NO. | サイズ | 材種 | 入数 | 勾配 | 在庫品 | 受注生産品 | 備考 |
|---------|-------------|----------------------------|----|----|-----|-------|----|
| AEA0048 | 105 | 二段 3 × 19 (5.5 × 15) | 50 | | ○ | ● | |
| AEC0049 | 120 | | | | | | |
| AEC0050 | 120 マルシン | | | | | | |



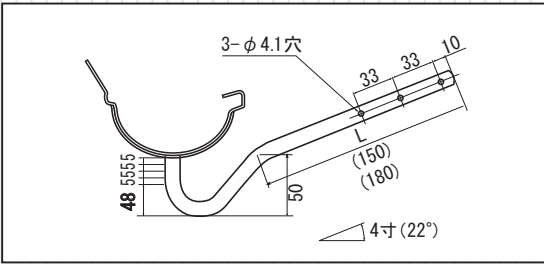
| コード NO. | サイズ | 材種 | 入数 | 勾配 | 在庫品 | 受注生産品 | 備考 |
|---------|-------------|----------------------------|----|----|-----|-------|----|
| AEC0051 | 105 | 三段 3 × 19 (5.5 × 15) | 50 | | | ● | |
| AEC0052 | 120 | | | | | | |
| AEC0053 | 120 マルシン | | | | | | |

19 型ツル首 (大阪型)



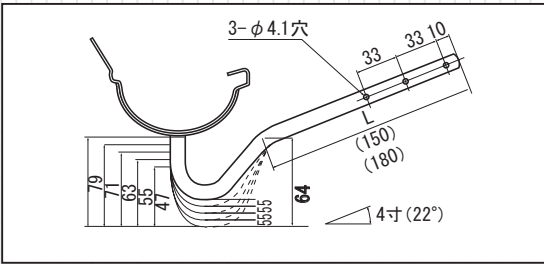
| コード NO. | サイズ | 材種 | 入数 | 勾配 | 在庫品 | 受注生産品 | 備考 |
|----------|-----------|--------------------|-----|----|-----|-------|----|
| AMC00110 | 100 × 150 | 1 × 19 (2 × 11) | 150 | | | ● | |
| AMA00120 | 105 × 150 | | | | ○ | | |
| AMC00130 | 120 × 150 | | | | | ● | |
| | 100 × 180 | | | | | ● | |
| AMA80050 | 105 × 180 | | | | | ○ | |
| AMC80060 | 120 × 180 | | | | | | ● |

19 型ツル首 (九州型)



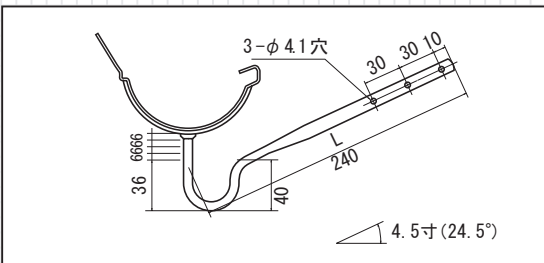
| コード NO. | サイズ | 材種 | 入数 | 勾配 | 在庫品 | 受注生産品 | 備考 |
|----------|-----------|--------------------|-----|----|-----|-------|----|
| AMC00140 | 100 × 150 | 1 × 19 (2 × 11) | 150 | | | ● | |
| AMA00150 | 105 × 150 | | | | ○ | | |
| AMC00160 | 120 × 150 | | | | | ● | |
| AMC06500 | 105 × 210 | | | | | ● | |
| AMA00170 | 105 × 180 | | | | | ○ | |
| AMA00180 | 120 × 180 | | | | | ○ | |
| AMC0651 | 120 × 210 | | | | | | ● |

19 型ツル首 (宇部首低)



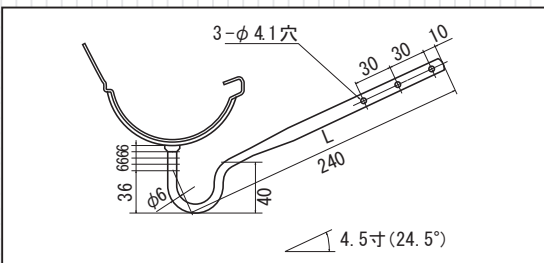
| コード NO. | サイズ | 材種 | 入数 | 勾配 | 在庫品 | 受注生産品 | 備考 |
|----------|-----------|--------------------|-----|----|-----|-------|----|
| AMA00190 | 105 × 150 | 1 × 19 (2 × 11) | 150 | | ○ | | |
| AMA00200 | 105 × 180 | | | | ○ | | |
| AMC00210 | 120 × 150 | | | | | ● | |
| AMC00220 | 120 × 180 | | | | | ● | |

19 型丸ツル首 (愛知型)



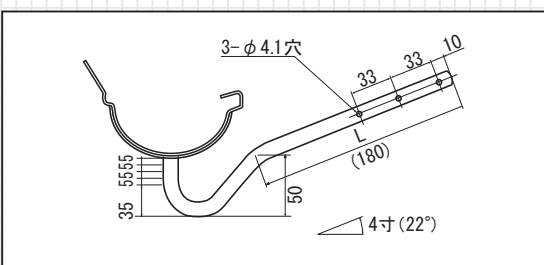
| コード NO. | サイズ | 材種 | 入数 | 勾配 | 在庫品 | 受注生産品 | 備考 |
|---------|-----|----------------|-----|----|-----|-------|----|
| AMC0023 | 100 | 1 × 19 (φ6) | 100 | | | ● | |
| AMA0024 | 105 | | | | ○ | | |
| AMC0025 | 120 | | | | | ● | |

24 型丸ツル首 (愛知型)



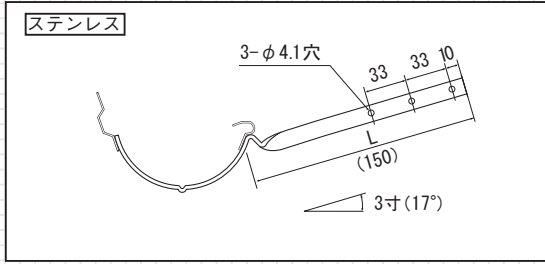
| コード NO. | サイズ | 材種 | 入数 | 勾配 | 在庫品 | 受注生産品 | 備考 |
|---------|-----|----------------|-----|----|-----|-------|----|
| AMA0026 | 105 | 1 × 24 (φ6) | 150 | | ○ | | |
| AMC0027 | 120 | | | | | ● | |

24 型ツル首 (九州型)



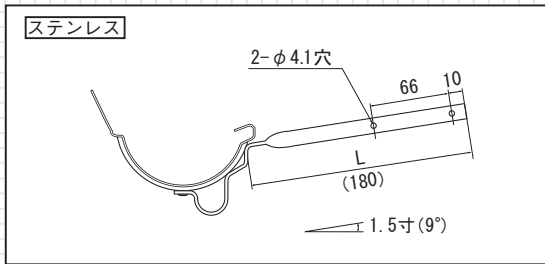
| コード NO. | サイズ | 材種 | 入数 | 勾配 | 在庫品 | 受注生産品 | 備考 |
|---------|-----------|--------------------|-----|----|-----|-------|----|
| AMC0028 | 105 × 180 | 1 × 24 (3 × 13) | 150 | | ○ | | |
| AMC0029 | 120 × 180 | | | | ○ | | |

ウノ首



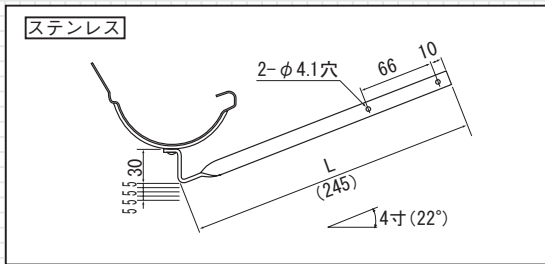
| コード NO. | サイズ | 材種 | 入数 | 勾配 | 在庫品 | 受注生産品 | 備考 |
|---------|-----|--------|-----|----|-----|-------|----|
| | 105 | 3 × 13 | 100 | | | ● | |
| | 120 | | | | | ● | |

24 型化粧ウノ首



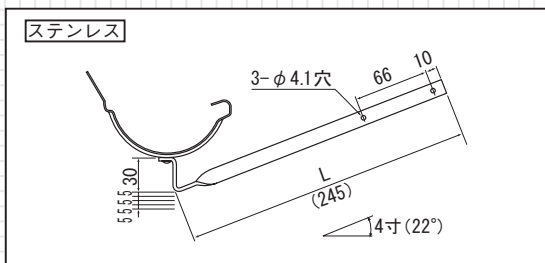
| コード NO. | サイズ | 材種 | 入数 | 勾配 | 在庫品 | 受注生産品 | 備考 |
|---------|-----|----------------------|-----|----|-----|-------|----|
| AMA0341 | 105 | 1.0 × 24 (3 × 13) | 100 | | ○ | | |
| AMC0342 | 120 | | | ● | | | |

19 型瓦下横打



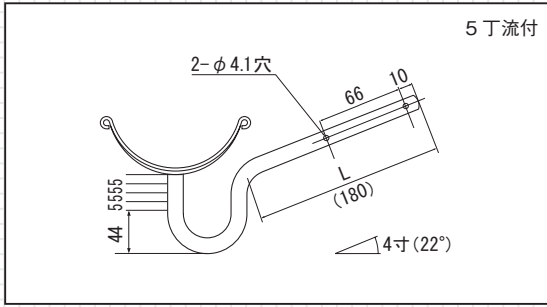
| コード NO. | サイズ | 材種 | 入数 | 勾配 | 在庫品 | 受注生産品 | 備考 |
|---------|-----|----------------------|-----|----|-----|-------|----|
| AMC0345 | 105 | 1.0 × 19 (3 × 13) | 100 | | | ● | |
| AMC0346 | 120 | | | ● | | | |

24 型瓦下横打



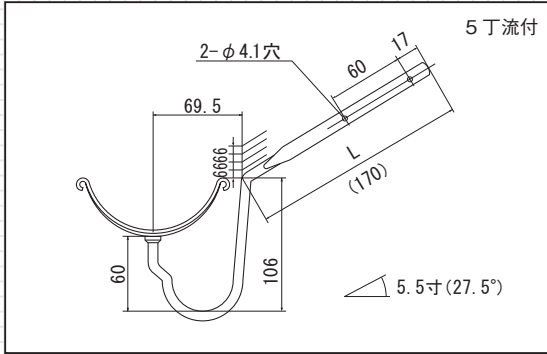
| コード NO. | サイズ | 材種 | 入数 | 勾配 | 在庫品 | 受注生産品 | 備考 |
|---------|-----|----------------------|-----|----|-----|-------|----|
| AMA0343 | 105 | 1.0 × 24 (3 × 13) | 100 | | ○ | | |
| AMC0344 | 120 | | | ● | | | |

銅平鶴首



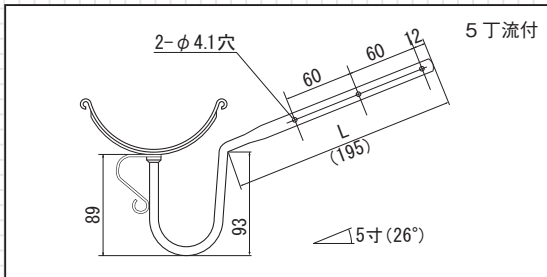
| コード NO. | サイズ | 材種 | 入数 | 勾配 | 在庫品 | 受注生産品 | 備考 |
|---------|-----------|----------|-----|----|-----|-------|----|
| ALC0101 | 75 × 180 | 2.2 × 11 | 250 | | | ● | |
| ALC0102 | 100 × 180 | | | | | ● | |
| ALC0103 | 105 × 180 | | | | ○ | | |
| ALC0104 | 120 × 180 | | | | ○ | | |
| ALC0105 | 100 × 180 | 2.8 × 13 | 200 | | | ● | |
| ALA0106 | 105 × 180 | | | | ○ | | |
| ALA0107 | 120 × 180 | | | | ○ | | |

銅モッコ付鶴首



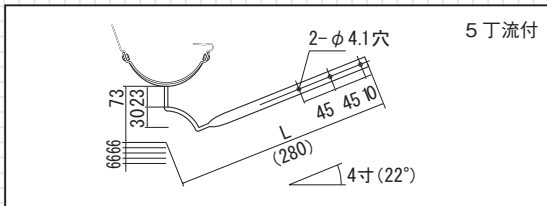
| コード NO. | サイズ | 材種 | 入数 | 勾配 | 在庫品 | 受注生産品 | 備考 |
|---------|-----|---------------------|-----|----|-----|-------|----|
| ALC0111 | 75 | 2.2 × 11 (φ 5.5) | 250 | | | ● | |
| ALC0112 | 100 | | | | | ● | |
| ALC0113 | 105 | | | | | ● | |
| ALC0114 | 120 | | | | | ● | |
| AXC0721 | 75 | 2.2 × 11 (φ 5.5) | 100 | | | ● | |
| ALC0115 | 100 | 2.6 × 17 (φ 8) | | | | ● | |
| ALC0116 | 105 | | | | ○ | | |
| ALC0117 | 120 | | | | ○ | | |

銅大和型鶴首

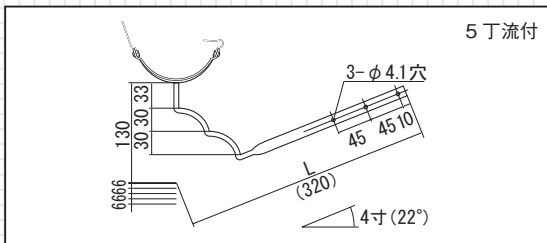


| コード NO. | サイズ | 材種 | 入数 | 勾配 | 在庫品 | 受注生産品 | 備考 |
|---------|-----|-------------------|-----|----|-----|-------|----|
| ALC0118 | 105 | 2.6 × 17 (φ 8) | 100 | | ○ | | |
| ALC0119 | 120 | | | | ○ | | |

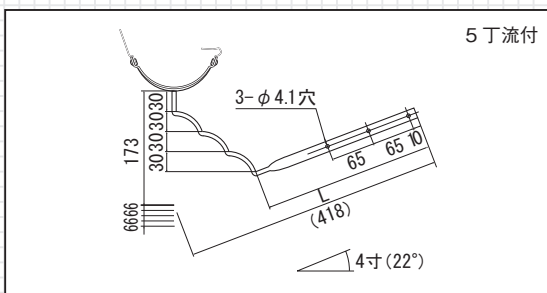
銅地上横打



| コード NO. | サイズ | 材種 | 入数 | 勾配 | 在庫品 | 受注生産品 | 備考 |
|---------|-----|----------------------|----|----|-----|-------|----|
| ALC0131 | 105 | 2.8 × 15 (6 × 13) | 50 | | | ● | |
| ALC0132 | 120 | | | | | ● | |

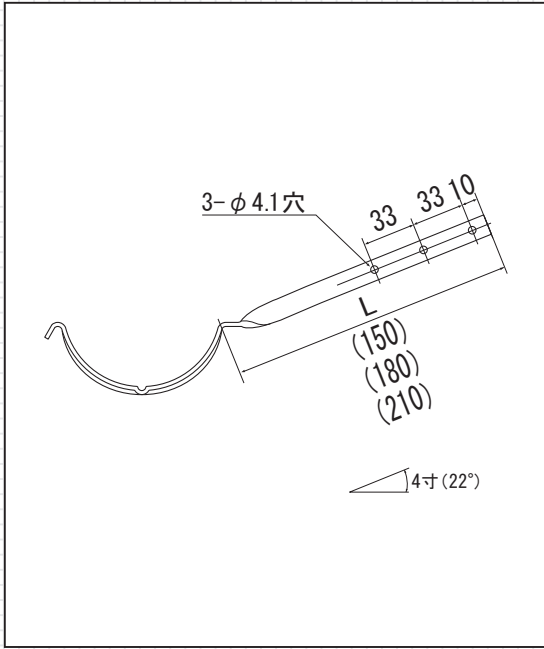


| コード NO. | サイズ | 材種 | 入数 | 勾配 | 在庫品 | 受注生産品 | 備考 |
|---------|-----|----------------------|----|----|-----|-------|----|
| ALC0133 | 105 | 2.8 × 15 (6 × 13) | 50 | | | ● | |
| ALC0134 | 120 | | | | | ● | |



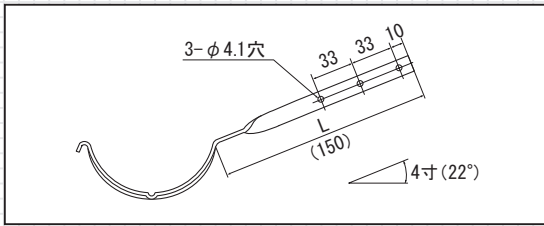
| コード NO. | サイズ | 材種 | 入数 | 勾配 | 在庫品 | 受注生産品 | 備考 |
|---------|-----|----------------------|----|----|-----|-------|----|
| ALC0135 | 105 | 2.8 × 15 (6 × 13) | 50 | | | ● | |
| ALC0136 | 120 | | | | | ● | |

並受



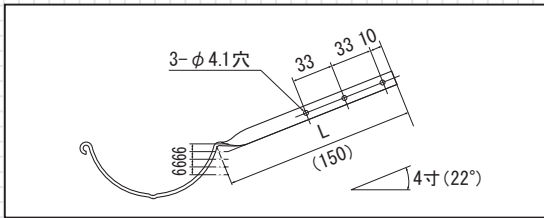
| コード NO. | サイズ | 材種 | 入数 | 勾配 | 在庫品 | 受注生産品 | 備考 | | |
|---------|-----------|------------|-----|----------|-----|-------|----|---|--|
| ABA0001 | 75 × 150 | 2.2 × 11.5 | 250 | | ○ | | | | |
| ABC0002 | 100 × 150 | | | | | ● | | | |
| ABA0003 | 105 × 150 | | | | ○ | | | | |
| ABA0004 | 120 × 150 | | | | ○ | | | | |
| ABC0005 | 105 × 180 | | | | | ● | | | |
| ABA0006 | 100 × 180 | | | 2.8 × 13 | | | ○ | | |
| ABA0007 | 105 × 180 | | | | | | ○ | | |
| ABA0008 | 120 × 180 | | | | | | ○ | | |
| ABC0009 | 150 × 180 | | | | | | | ● | |
| ABA0010 | 150 × 180 | 2.6 × 16 | 150 | | ○ | | | | |
| ABC0011 | 100 × 180 | 4.5 × 13 | 200 | | | ● | | | |
| ABA0012 | 105 × 180 | | | | ○ | | | | |
| ABC0013 | 120 × 180 | | | | | ● | | | |
| ABC0014 | 100 × 210 | | 150 | | | | ● | | |
| ABC0015 | 105 × 210 | | | | | | ● | | |
| ABC0016 | 120 × 210 | | | | | | ● | | |

ネジ長並受



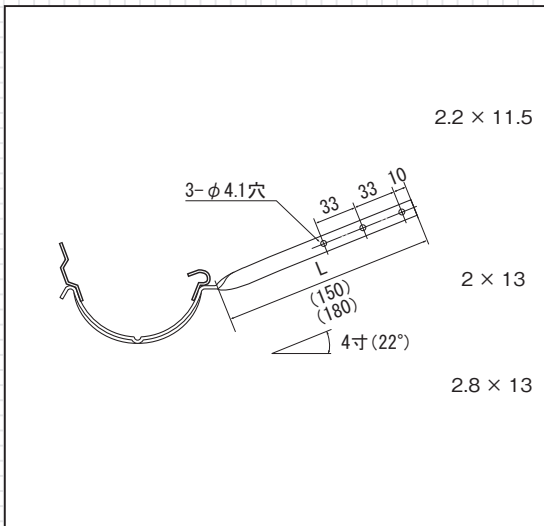
| コード NO. | サイズ | 材種 | 入数 | 勾配 | 在庫品 | 受注生産品 | 備考 |
|---------|-----------|------------|-----|----|-----|-------|----|
| ABC0017 | 100 × 150 | 2.2 × 11.5 | 250 | | | ● | |
| ABA0018 | 105 × 150 | | | | ○ | | |
| ABC0019 | 120 × 150 | | | | | ● | |

京型並受 (5 丁流)



| コード NO. | サイズ | 材種 | 入数 | 勾配 | 在庫品 | 受注生産品 | 備考 |
|---------|-----------|------------|-----|----|-----|-------|----|
| ABC0020 | 75 × 150 | 2.2 × 11.5 | 200 | | | ● | |
| ABC0021 | 100 × 150 | | | | | ● | |
| ABA0022 | 105 × 150 | | | | ○ | | |
| ABC0023 | 120 × 150 | | | | | ● | |

ワンタッチ並受

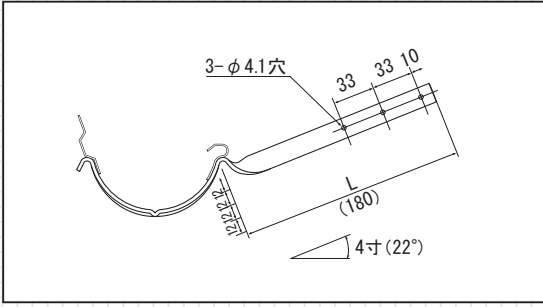


| コード NO. | サイズ | 表面処理 | | | | | 入数 | 勾配 | 備考 |
|---------|-----------|------|----|----|-----|--------|-----|----|----|
| | | 生地 | 新茶 | 黒 | ミルク | ダークグレイ | | | |
| | | BRO | BK | MW | DGY | | | | |
| ABA0024 | 100 × 150 | ○ | ● | ● | ● | ● | 200 | | |
| ABA0025 | 105 × 150 | ○ | ○ | ○ | ● | ● | | | |
| ABA0026 | 120 × 150 | ○ | ○ | ● | ● | ● | | | |
| AXA0701 | 105 × 180 | ○ | ● | ● | ● | ● | | | |
| AXA0702 | 120 × 180 | ○ | ● | ● | ● | ● | 150 | | |
| ABA0027 | 100 × 180 | ○ | ● | ● | ● | ● | | | |
| ABA0028 | 105 × 180 | ○ | ○ | ○ | ● | ● | | | |
| ABA0029 | 120 × 180 | ○ | ● | ● | ● | ● | | | |
| ABA0051 | 75 × 150 | ○ | ● | ● | ● | ● | | | |

○…在庫品 ●…受注生産品

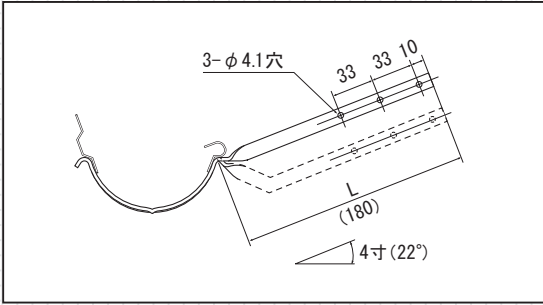


ワンタッチ段付並受



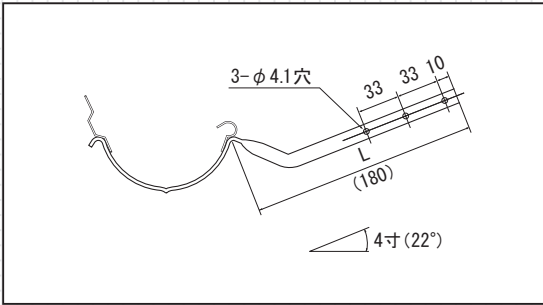
| コードNO. | サイズ | 材種 | 入数 | 勾配 | 在庫品 | 受注生産品 | 備考 |
|---------|-----------|----------|-----|----|-----|-------|----|
| ABC0032 | 100 × 180 | 2.6 × 13 | 200 | | ○ | ● | |
| ABA0033 | 105 × 180 | | | | | | |
| ABC0034 | 120 × 180 | 2.6 × 16 | 150 | | | ● | |
| ABC0035 | 100 × 180 | | | | | | |
| ABA0036 | 105 × 180 | | | | | | |
| ABC0037 | 120 × 180 | | | | | | |
| ABC0038 | 150 × 180 | | 100 | | | ● | |

三重型段付並受 (5丁流)



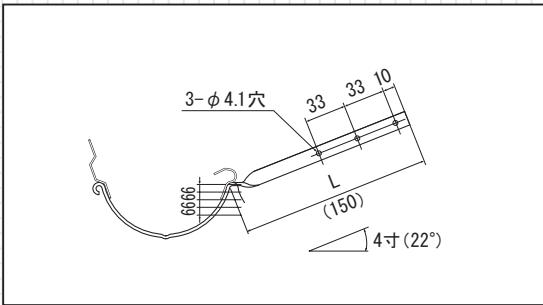
| コードNO. | サイズ | 材種 | 入数 | 勾配 | 在庫品 | 受注生産品 | 備考 |
|---------|-----------|------------|-----|----|-----|-------|----|
| ABA0060 | 105 × 180 | 2.2 × 11.5 | 200 | | ○ | | |

伊予型並受 (流れなし)



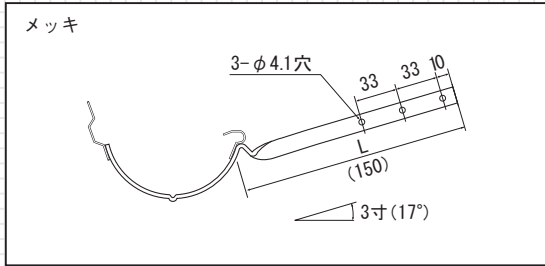
| コードNO. | サイズ | 材種 | 入数 | 勾配 | 在庫品 | 受注生産品 | 備考 |
|---------|-----------|------------|-----|----|-----|-------|----|
| ABC0061 | 105 × 180 | 2.2 × 11.5 | 200 | | | ● | |
| ABC0063 | 105 × 180 | 2.8 × 13 | | | | | |

ワンタッチ京型並受



| コードNO. | サイズ | 材種 | 入数 | 勾配 | 在庫品 | 受注生産品 | 備考 |
|---------|-----------|------------|-----|----|-----|-------|----|
| ABC8010 | 100 × 150 | 2.2 × 11.5 | 200 | | ○ | ● | |
| ABA8011 | 105 × 150 | | | | | | |

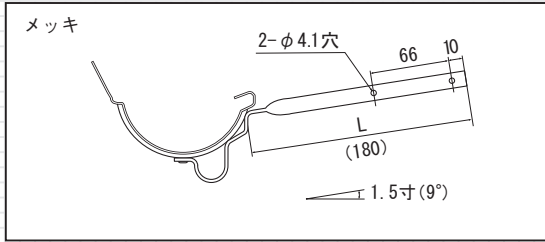
ワンタッチ ウノ首



| コード NO. | サイズ | 表面処理 | | | | | 入数 | 勾配 | 備考 |
|---------|-----|------|----|----|-----|--------|-----|----|----|
| | | 生地 | 新茶 | 黒 | ミルク | ダークグレイ | | | |
| | | BRO | BK | MW | DGY | | | | |
| AEA0065 | 100 | ○ | ● | ● | ● | ● | 100 | | |
| AEA0066 | 105 | ○ | ○ | ○ | ● | ● | | | |
| AEA0067 | 120 | ○ | ● | ● | ● | ● | | | |

○…在庫品 ●…受注生産品

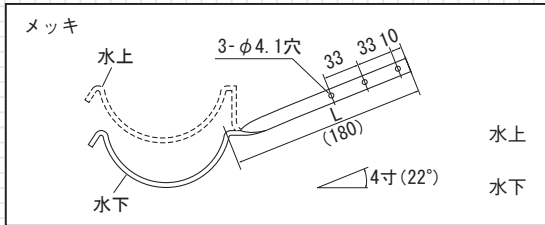
24 型化粧 ウノ首



| コード NO. | サイズ | 表面処理 | | | | | 入数 | 勾配 | 備考 |
|---------|-----|------|----|----|-----|--------|-----|----|----|
| | | 生地 | 新茶 | 黒 | ミルク | ダークグレイ | | | |
| | | BRO | BK | MW | DGY | | | | |
| AEA0054 | 105 | ○ | ● | ● | ● | ● | 100 | | |
| AEC0055 | 120 | ● | ● | ● | ● | ● | | | |

○…在庫品 ●…受注生産品

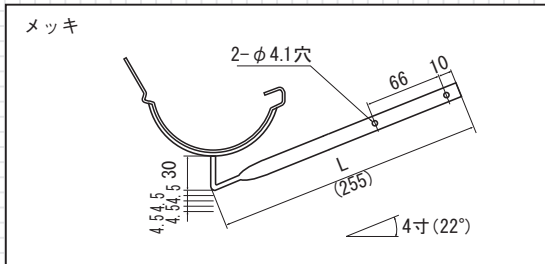
北陸型並受



| コード NO. | サイズ | 表面処理 | | | | | 入数 | 勾配 | 備考 |
|---------|-----------|------|----|----|-----|--------|-----|----|----|
| | | 生地 | 新茶 | 黒 | ミルク | ダークグレイ | | | |
| | | BRO | BK | MW | DGY | | | | |
| ABA0030 | 105 × 180 | ○ | ● | ● | ● | ● | 100 | | |
| ABA0031 | | ○ | ● | ● | ● | ● | | | |

○…在庫品 ●…受注生産品

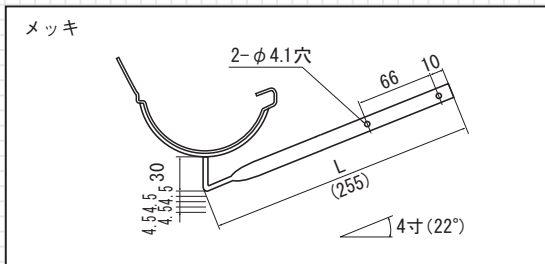
19 型瓦下横打



| コード NO. | サイズ | 表面処理 | | | | | 入数 | 勾配 | 備考 |
|---------|-----|------|----|----|-----|--------|-----|----|----|
| | | 生地 | 新茶 | 黒 | ミルク | ダークグレイ | | | |
| | | BRO | BK | MW | DGY | | | | |
| AEC0074 | 100 | ● | ● | ● | ● | ● | 100 | | |
| AEA0041 | 105 | ○ | ○ | ○ | ● | ● | | | |
| AEC0042 | 120 | ● | ● | ● | ● | ● | | | |

○…在庫品 ●…受注生産品

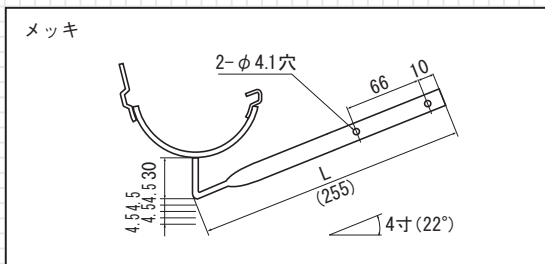
24 型瓦下横打



| コード NO. | サイズ | 表面処理 | | | | | 入数 | 勾配 | 備考 |
|---------|-----|------|----|----|-----|--------|-----|----|----|
| | | 生地 | 新茶 | 黒 | ミルク | ダークグレイ | | | |
| | | BRO | BK | MW | DGY | | | | |
| | 100 | ● | ● | ● | ● | ● | 100 | | |
| AEA0043 | 105 | ○ | ● | ● | ● | ● | | | |
| AEC0044 | 120 | ● | ● | ● | ● | ● | | | |

○…在庫品 ●…受注生産品

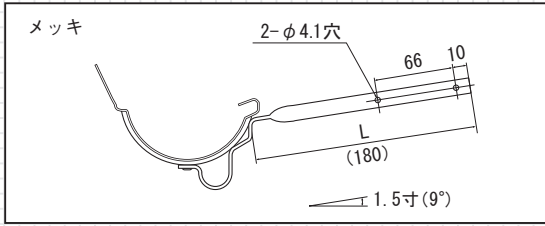
関東型瓦下横打



| コード NO. | サイズ | 表面処理 | | | | | 入数 | 勾配 | 備考 |
|---------|-----|------|----|----|-----|--------|-----|----|----|
| | | 生地 | 新茶 | 黒 | ミルク | ダークグレイ | | | |
| | | BRO | BK | MW | DGY | | | | |
| AEC0068 | 100 | ● | ● | ● | ● | ● | 100 | | |
| AEC0069 | 105 | ● | ● | ● | ● | ● | | | |
| AEC0070 | 120 | ● | ● | ● | ● | ● | | | |

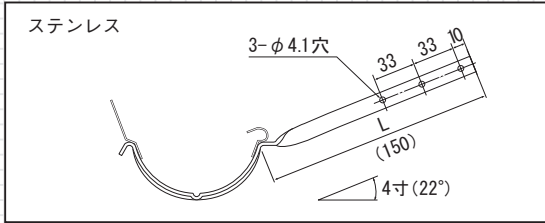
○…在庫品 ●…受注生産品

24型ウノ首



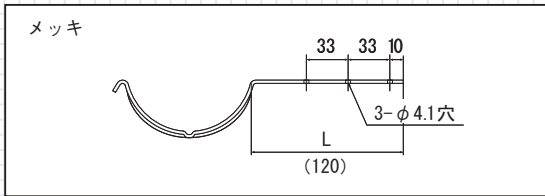
| コードNO. | サイズ | 材種 | 入数 | 勾配 | 在庫品 | 受注生産品 | 備考 |
|---------|-----|--------------------|-----|----|-----|-------|----|
| AEA0054 | 105 | 1 × 24 (3 × 13) | 100 | | ○ | | |
| AEA0055 | 120 | | | | | | |

ワンタッチ並受



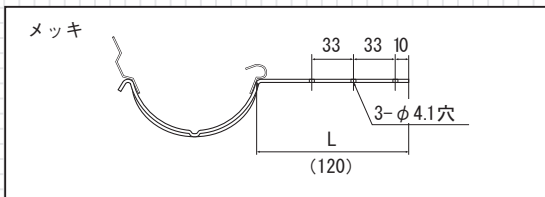
| コードNO. | サイズ | 材種 | 入数 | 勾配 | 在庫品 | 受注生産品 | 備考 |
|---------|-----------|--------|-----|----|-----|-------|----|
| | 100 × 150 | 2 × 11 | 200 | | ○ | ● | |
| AMA0504 | 105 × 150 | | | | | | |
| | 120 × 150 | | | | | | |

上打



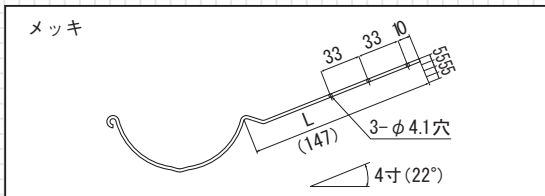
| コードNO. | サイズ | 材種 | 入数 | 勾配 | 在庫品 | 受注生産品 | 備考 |
|---------|-----|------------|-----|----|-----|-------|----|
| ABC0043 | 75 | 2.2 × 11.5 | 250 | | | ● | |
| ABC0044 | 100 | | | | | | |
| ABC0045 | 105 | | | | | | |
| ABC0046 | 120 | | | | | | |

ワンタッチ上打



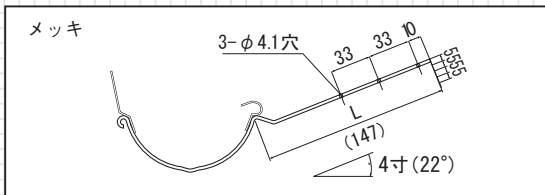
| コードNO. | サイズ | 材種 | 入数 | 勾配 | 在庫品 | 受注生産品 | 備考 |
|---------|-----|------------|-----|----|-----|-------|----|
| ABC0047 | 75 | 2.2 × 11.5 | 200 | | | ● | |
| ABC0048 | 100 | | | | | | |
| ABC0049 | 105 | | | | | | |
| ABC0050 | 120 | | | | | | |

京型上打 (5丁流)



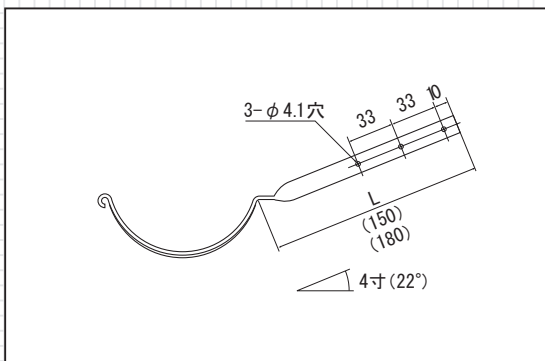
| コードNO. | サイズ | 材種 | 入数 | 勾配 | 在庫品 | 受注生産品 | 備考 | |
|---------|-----|------------|-----|----|-----|-------|----|---|
| ABC0039 | 75 | 2.2 × 11.5 | 200 | | | ● | | |
| ABA0040 | 100 | | | | | | | |
| ABA0041 | 105 | | | | | | | ○ |
| ABC0042 | 120 | | | | | | | ● |

ワンタッチ京型上打 (5丁流)



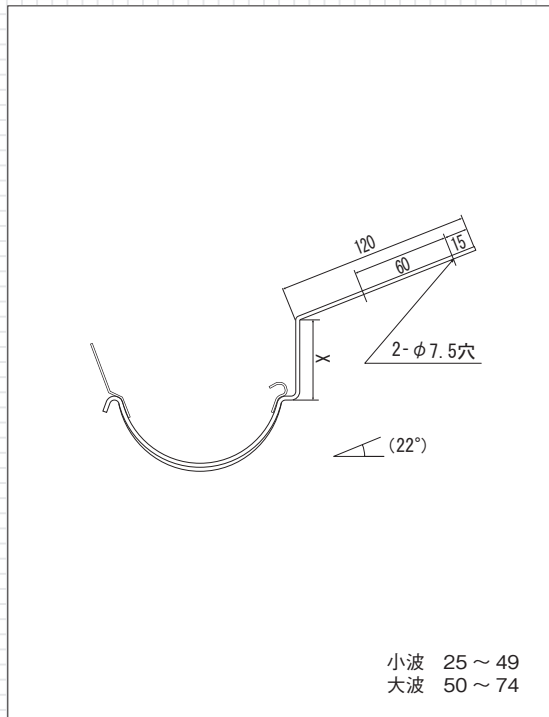
| コードNO. | サイズ | 材種 | 入数 | 勾配 | 在庫品 | 受注生産品 | 備考 | |
|---------|-----|------------|-----|----|-----|-------|----|---|
| ABC8016 | 75 | 2.2 × 11.5 | 200 | | | ● | | |
| ABC8012 | 100 | | | | | | | |
| ABA8013 | 105 | | | | | | | ○ |
| ABC8017 | 120 | | | | | | | ● |

銅並受



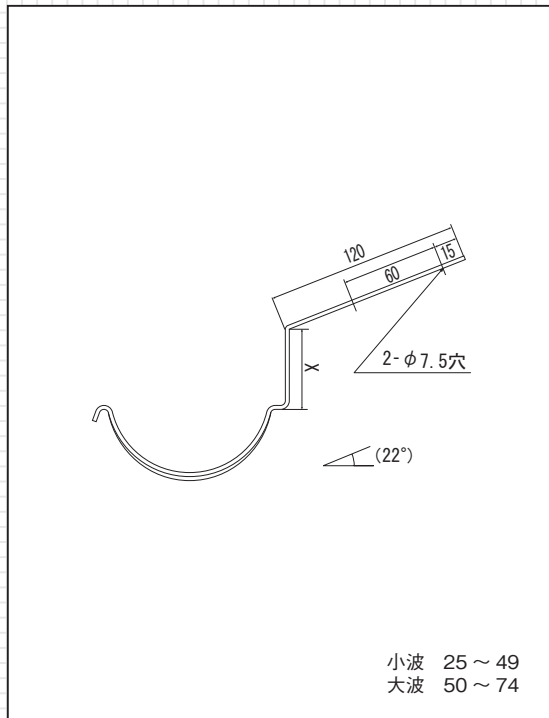
| コードNO. | サイズ | 材種 | 入数 | 勾配 | 在庫品 | 受注生産品 | 備考 |
|---------|-----------|----------|-----|----|-----|-------|----|
| ALC0091 | 100 × 150 | 2.2 × 11 | 250 | | | ● | |
| ALC0092 | 105 × 150 | | | | | | |
| ALC0093 | 120 × 150 | | | | | | |
| ALC0094 | 100 × 180 | 2.8 × 13 | | | | | |
| ALC0095 | 105 × 180 | | | | | | |
| ALC0096 | 120 × 180 | | | | | | |

ワンタッチストレート上打



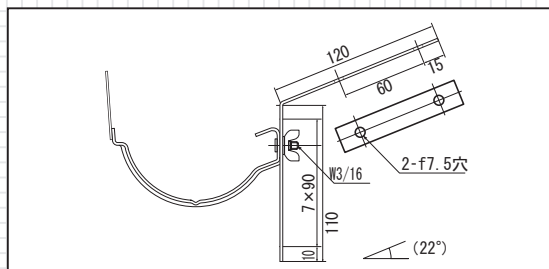
| コード NO. | サイズ | 材種 | 入数 | 勾配 | 在庫品 | 受注生産品 | 備考 |
|---------|-----|----------|-----|----------|-----|-------|-------|
| AFC0039 | 100 | 2.8 × 13 | 100 | | | ● | 5 丁流 |
| AFA0040 | 105 | | | | | ● | |
| AFC0041 | 120 | | | | | ● | |
| AFC0042 | 100 | | | | | ● | 7 丁流 |
| AFC0043 | 105 | | | | | ● | |
| AFC0044 | 120 | | | | | ● | |
| AFC0045 | 100 | | | | | ● | |
| AFC0046 | 105 | | | | | ● | 10 丁流 |
| AFC0047 | 120 | | | | | ● | |
| AFC0048 | 100 | | | 2.6 × 16 | | | |
| AFC0049 | 105 | | | | | ● | |
| AFC0050 | 120 | | | | | ● | 7 丁流 |
| AFC0051 | 100 | | | | | ● | |
| AFC0052 | 105 | | | | | ● | |
| AFC0053 | 120 | | | | | ● | 10 丁流 |
| AFC0054 | 100 | | | | | ● | |
| AFC0055 | 105 | | | | | ● | |
| AFC0056 | 120 | | | ● | | | |

ストレート上打



| コード NO. | サイズ | 材種 | 入数 | 勾配 | 在庫品 | 受注生産品 | 備考 |
|---------|-----|----------|-----|----------|-----|-------|-------|
| AFC0021 | 100 | 2.8 × 13 | 140 | | | ● | 5 丁流 |
| AFC0022 | 105 | | | | | ● | |
| AFC0023 | 120 | | | | | ● | |
| AFC0024 | 100 | | | | | ● | 7 丁流 |
| AFC0025 | 105 | | | | | ● | |
| AFC0026 | 120 | | | | | ● | |
| AFC0027 | 100 | | | | | ● | |
| AFC0028 | 105 | | | | | ● | 10 丁流 |
| AFC0029 | 120 | | | | | ● | |
| AFC0030 | 100 | | | 2.6 × 16 | | | |
| AFC0031 | 105 | | | | | ● | |
| AFC0032 | 120 | | | | | ● | 7 丁流 |
| AFC0033 | 100 | | | | | ● | |
| AFC0034 | 105 | | | | | ● | |
| AFC0035 | 120 | | | | | ● | 10 丁流 |
| AFC0036 | 100 | | | | | ● | |
| AFC0037 | 105 | | | | | ● | |
| AFC0038 | 120 | | | ● | | | |

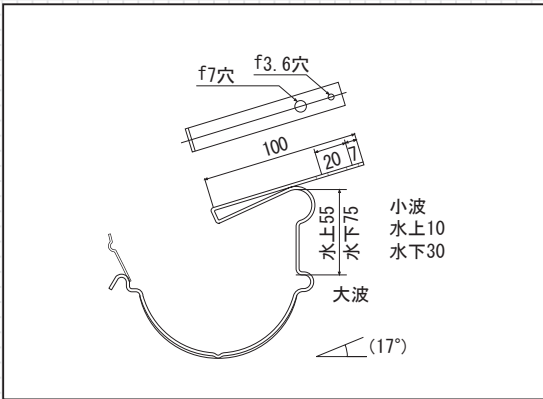
ワンタッチストレート上打 (自在)



| コード NO. | サイズ | 材種 | 入数 | 勾配 | 在庫品 | 受注生産品 | 備考 | |
|---------|-----|----------------------|-----|----|-----|-------|----|--|
| AFB0005 | 100 | 2.6 × 16 (3 × 19) | 100 | | | ● | | |
| AFA0006 | 105 | | | | ○ | | | |
| AFB0007 | 120 | | | | | | ● | |
| AFB0008 | 150 | | | | 80 | | ● | |



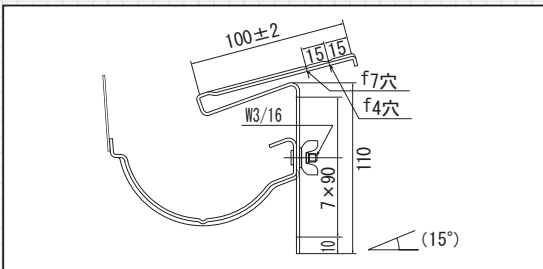
芯出し菊水大浪小浪
菊水（芯出し）



| コードNO. | サイズ | 材種 | 入数 | 勾配 | 在庫品 | 受注生産品 | 備考 |
|---------|-----|--------|-----|----|-----|-------|----|
| AFA0061 | 100 | 2 × 15 | 100 | | ○ | | |
| AFA0013 | 105 | | | | ○ | | |
| AFA0014 | 120 | | | | ○ | | |
| AFA0062 | 100 | | | | ○ | | |
| AFA0015 | 105 | | | | ○ | | |
| AFA0016 | 120 | | | | ○ | | |

| コードNO. | サイズ | 材種 | 入数 | 勾配 | 在庫品 | 受注生産品 | 備考 |
|---------|-----|----------|-----|----|-----|-------|----|
| AFC0019 | 150 | 2.6 × 16 | 100 | | | ● | |
| AFC0020 | 150 | | | | | ● | |

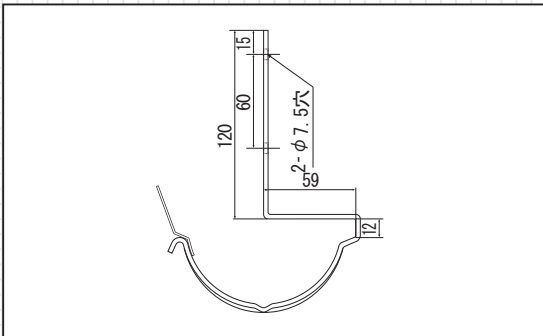
ワンタッチ菊水（自在）芯出し付



| コードNO. | サイズ | 材種 | 入数 | 勾配 | 在庫品 | 受注生産品 | 備考 |
|---------|-----|------------------------|-----|----|-----|-------|----|
| AFB0001 | 100 | 2.6 × 16 (2.6 × 19) | 100 | | | ● | |
| AFA0002 | 105 | | | | ○ | | |
| AFA0003 | 120 | | | | ○ | | |
| AFA0004 | 150 | | 80 | ○ | | | |

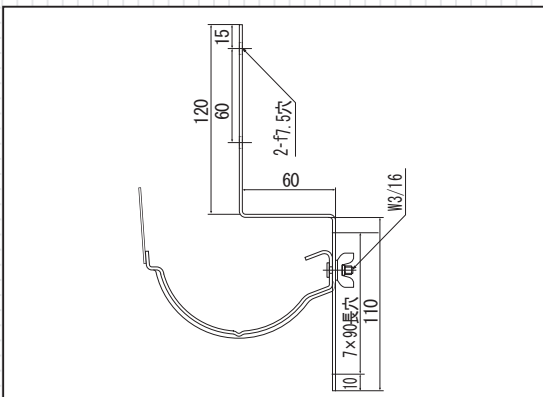
※ 105, 120 ステン製品も有り

ワンタッチスレート軒先曲り



| コードNO. | サイズ | 材種 | 入数 | 勾配 | 在庫品 | 受注生産品 | 備考 |
|---------|-----|----------|-----|----|-----|-------|----|
| AFC0057 | 100 | 2.6 × 16 | 100 | | | ● | |
| AFC0058 | 105 | | | | | ● | |
| AFC0059 | 120 | | | | | ● | |
| AFC0060 | 150 | | | | | ● | |

ワンタッチスレート軒先曲り（自在）



| コードNO. | サイズ | 材種 | 入数 | 勾配 | 在庫品 | 受注生産品 | 備考 |
|---------|-----|----------------------|-----|----|-----|-------|----|
| AFC0009 | 100 | 2.6 × 16 (3 × 19) | 100 | | | ● | |
| AFA0010 | 105 | | | | ○ | | |
| AFA0011 | 120 | | | | ○ | | |
| AFA0012 | 150 | | 80 | ○ | | | |